

808nm 5W laser diodes with C mount package

810nm 5W high power LD

WSLD-808-005-C

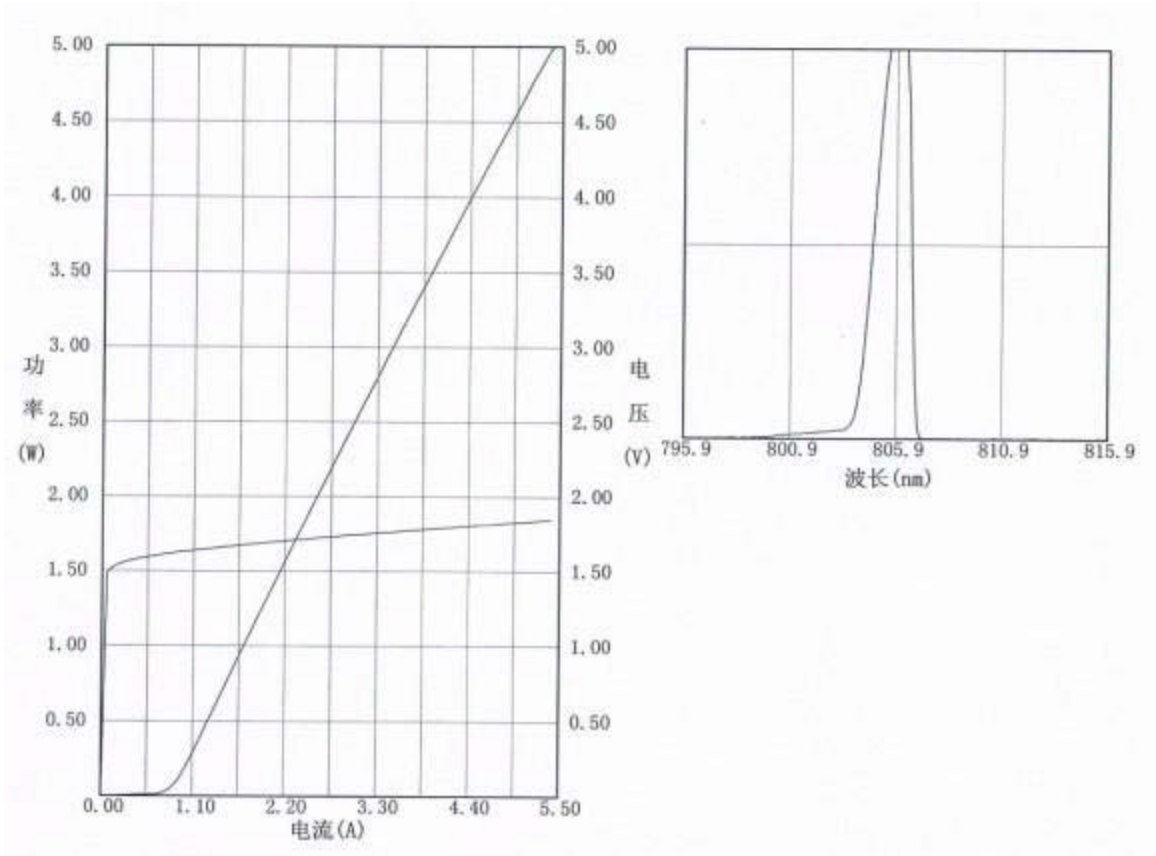
Wavespectrum laser inc.

www.wavespectrum-laser.com

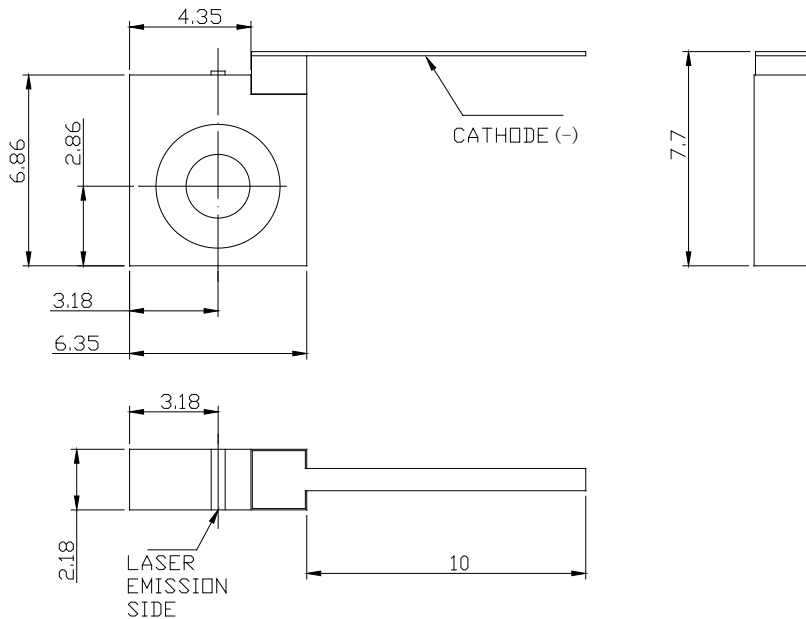
808nm Laser Diode 5W		Wavespectrum Laser, Inc		
Reverse Voltage	V_r	2.0	V	
Operating Temperature	T_{op}	-10 ~ +50	°C	
Storage Temperature	T_{stg}	-20 ~ +85	°C	
Lead soldering temperature (10 sec.)	T_{is}	250	°C	
Features: <ul style="list-style-type: none"> 808nm High power ,CW, Muti-mode C-mount package 				
Applications: <ul style="list-style-type: none"> Medical laser treatment Pumping Laser Night Vision Others 				
Specifications		WSLD-808-005-C		
		Min	Type	Max
Center Wavelength@25°C		+/-3nm	808nm	+/-10nm
Spectral Width (FWHM)		----	2.5nm	----
Output Power		----	5W	----
Emitter Area		----	200x1μm	----
Beam Divergence (FWHM)		----	32°± x 9°//	40°± x 12°//
Temperature Coefficient of Wavelength		----	0.3nm / °C	----
Slope Efficiency		----	1.2W/A	----
Threshold Current (Typ.)		----	0.55A	----
Operating Current (Typ.)		----	5.0A	----
Operating Voltage		----	1.9V	----
Package Style		C-mount		
Recommend Work Temperature		25°C		



PVI Curve



C-mount Package View



Electrically shorten LD module and store in non-extreme conditions.
Suggest using the constant current power supply.



Please contact us:

Website: www.wavespectrum-laser.com (for more detailed information)

Email: info@wavespectrum-laser.com (for inquiry about this product)

