

780nm-785nm 100mw Single Mode LD| SM Laser Diode|5.6mm TO18 Package

780-785nm SM Laser Diodes |Single Mode LD|100mw Power

WSLD-785-100m-1-PD

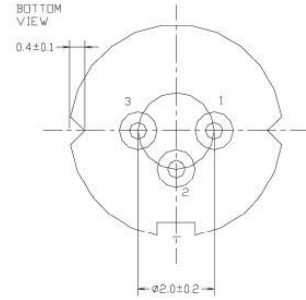
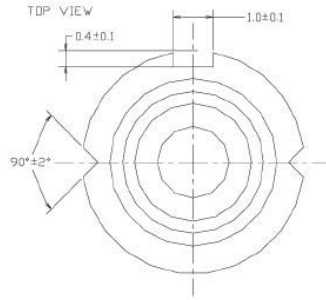
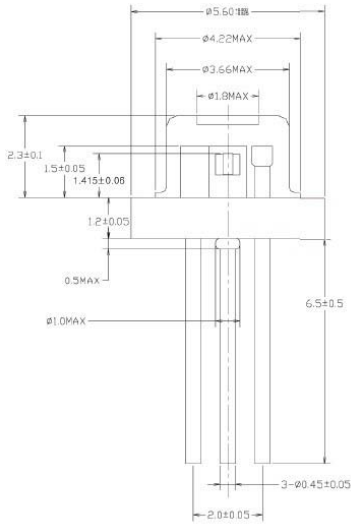
Wavespectrum laser inc.

www.wavespectrum-laser.com

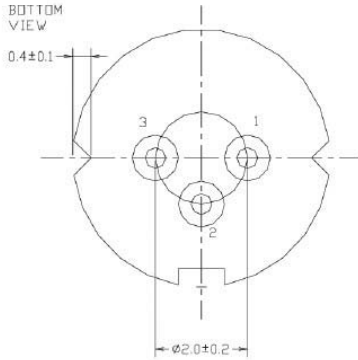
| 785nm Laser Diode PD 100mw | | Wavespectrum Laser, Inc | |
|-------------------------------------------------------------------------------------------------------------------------------------------------|-----------|-------------------------------------------------------------------------------------|-------|
| Reverse Voltage | V_r | 2.0 | V |
| Operating Temperature | T_{op} | -10 ~ +50 | °C |
| Storage Temperature | T_{stg} | -40 ~ +85 | °C |
| Lead soldering temperature (10 sec.) | T_{is} | 280 | °C |
| Features: <ul style="list-style-type: none"> 785nm Single Mode Built-in PD TO18 package | |  | |
| Applications: <ul style="list-style-type: none"> Medical laser treatment Laser indicator Laser detector | | | |
| Specifications | | WSLD-785-100m-1-PD | |
| | | Min | Type |
| Center Wavelength@25°C | | 775nm | 785nm |
| Spectral Width (FWHM) | | 2.0nm | |
| Output Power | | 100mw | |
| Emitter | | Single | |
| Beam Divergence (FWHM) | | 15° ⊥ x 8° // | |
| Monitor Current | | 0.5mA | |
| PD Reverse Voltage | | 30V | |
| PD Forward Current | | 10mA | |
| Slope Efficiency | | 1.1mW/mA | |
| Threshold Current (Typ.) | | 35mA | |
| Operating Current (Typ.) | | 115mA | |
| Operating Voltage | | 2.0V | |
| Package Style | | TO18 | |



TO18(5.6mm) Package View



PIN Bottom View:



| | |
|----------|------------------------|
| 1 | LD(-) |
| 2 | LD(+)&PD(-) |
| 3 | PD(+) |

Electrically shorten LD module and store in non-extreme conditions.

Suggest using the constant current power supply.

