



**FL-1064/1080-CW/1~20W**

### HIGH POWER ALL FIBER CW LASER

High Power all fiber CW laser at 1064nm is made features of ultra compact, long lifetime, low cost and easy operating, which is widely used in laser radar, life science, material processing, microelectronics, scientific research, etc.

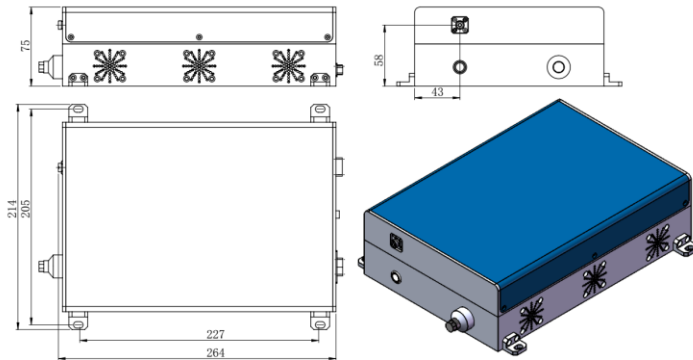


**SPECIFICATIONS**

|                                     |                         |        |
|-------------------------------------|-------------------------|--------|
| Wavelength (nm)                     | 1064±2                  | 1080±2 |
| Operating mode                      | CW or Modulated(≤50KHz) |        |
| Output power (W)                    | 1-20                    |        |
| Power stability (rms, over 4 hours) | <1%, <3%                |        |
| Delivery Fiber Length (m)           | 2-5                     |        |
| Output Fiber termination            | Collimator              |        |
| Beam Diameter (mm)                  | 4±1                     |        |
| M <sup>2</sup> factor               | <1.5                    |        |
| Polarization state                  | Random or >15dB         |        |
| Warm-up time (minutes)              | <15                     |        |
| Operating temperature (°C)          | 15~35                   |        |
| Power supply                        | 220V AC                 |        |
| Expected lifetime (hours)           | 10000                   |        |
| Warranty                            | 1 year                  |        |



FL-1064/1080-CW



264(L)×214(W) ×75(H) mm<sup>3</sup>, 3 kg



Website: <http://www.cnilaser.com>    E-mail: [sales@cnilaser.com](mailto:sales@cnilaser.com)    Tel: +86-431-85603799    Fax: +86-431-87020258