

FL-1550-SF/1~1000mW

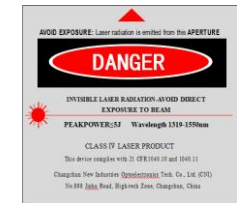
**SINGLE FREQUENCY MODE
FIBER LASER AT 1550 nm**

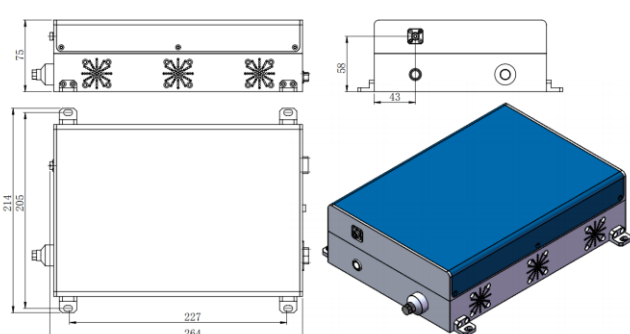
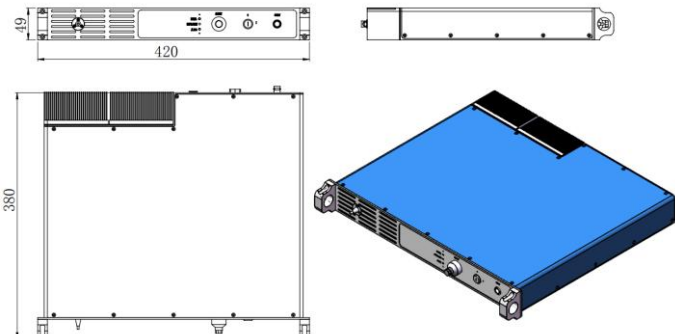
All polarization fiber single frequency mode high power laser at 1550nm is consisting of the seed laser and an amplifier optimized for low noise operation and application demanding more optical power, which has been designed for operation in acoustic and seismic sensing, medical cosmetology, LIDAR, metrology, wind sensing, security, experimental research, etc.



SPECIFICATIONS

| Model | FL-1550-SF- II | FL-1550-SF- I |
|-------------------------------------|-------------------|---------------|
| Wavelength (nm) | 1550±1 | |
| Operating mode | CW | |
| Output power (mW) | 1~500 | 1~1000 |
| Power stability (rms, over 4 hours) | <1%, <2% | |
| Transverse mode | TEM ₀₀ | |
| Longitudinal mode | Single | |
| Spectral linewidth (KHz) | <100 | <2000 |
| M ² factor | <1.2 | |
| Beam Delivery Optics | FC/APC | |
| Polarization ratio(dB) | >15 | |
| Warm-up time (minutes) | <15 | |
| Beam height from base plate (mm) | 58 | |
| Operating temperature (°C) | 15~35 | |
| Power supply (V DC) | 12 | |
| Expected lifetime (hours) | 10000 | |
| Warranty | 1 year | |
| Options | RS 232 interface | |



| FL-1550-SF- I | FL-1550-SF- II |
|---|---|
|  <p>264(L)×214(W) ×75(H), 3 kg Spectral linewidth<2000KHz</p> |  <p>420(L)×380(W) ×49(H)mm³, 7 kg Spectral linewidth<100KHz</p> |