

AO-V-523/1~433μ/1~1.3W

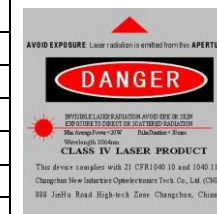
**LD PUMPED ALL-SOLID-STATE
AOM Q-SWITCHED GREEN
LASER AT 523 nm**

All CNI's solid state AOM Q-switched green laser at 523 nm has the features of high peak power, and short pulse duration, which is widely used in marking, carving, measure, research and so on.

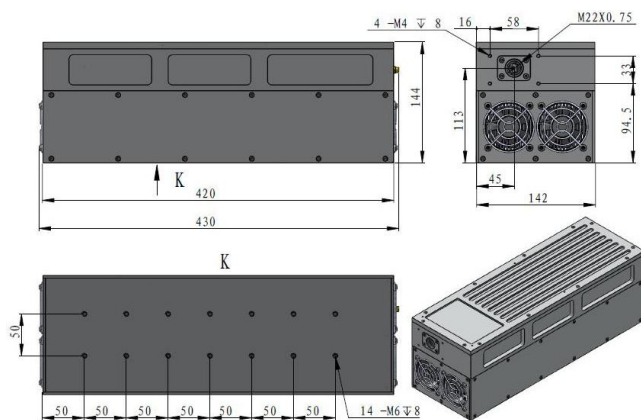


SPECIFICATIONS

Wavelength (nm)	523±1
Operating mode	Acousto-Optics Q-switched
Average power (W)	1~1.3W (1.3W@3kHz) Average power (W) = Single pulse energy (mJ) * Rep. rate (kHz)
Single pulse energy (μJ)	1~433(433μJ @3kHz)
Rep. rate (kHz)	3~10
Pulse duration (ns)	~10 @3kHz, varies from power and repetition.
Peak power (kW)	1~43 (43kW@3kHz)
Ave power stability (over 4 hours)	<3%, <5%
Beam divergence, full angle (mrad)	<2
Beam diameter at the aperture (1/e ² ,mm)	~2.0
Warm-up time (minutes)	<10
Beam height from base plate (mm)	113
Cooled method	Air cooled
Operating temperature (°C)	10~35
Power supply (220/110VAC)	PSU-AOM(3U)
Expected lifetime (hours)	10000
Warranty period	1 year

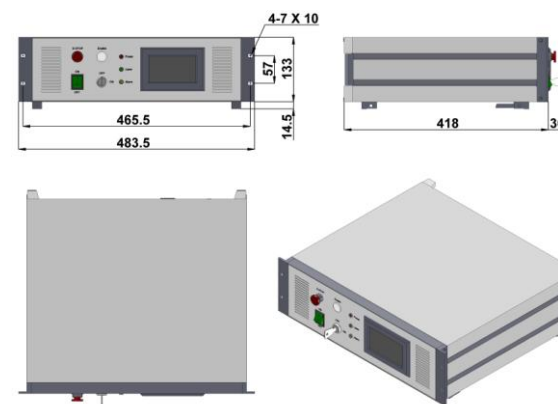


AO-V-523



420 (L) x 142 (W) x 144 (H) mm³, 9.5 kg

PSU-AOM(3U)



483.5 (L) x 454 (W) x 147.5 (H) mm³, 8.3 kg