

AO-X-532/1~670μJ/1~20W

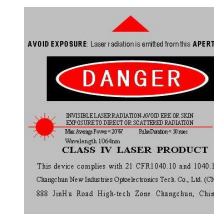
**LD PUMPED ALL-SOLID-STATE
AOM Q-SWITCHED GREEN
LASER AT 532 nm**

All solid state AOM Q-switched green laser at 532 nm has the features of high peak power, high repetition rate, and short pulse duration, which is widely used in marking, carving, measure, research and so on.

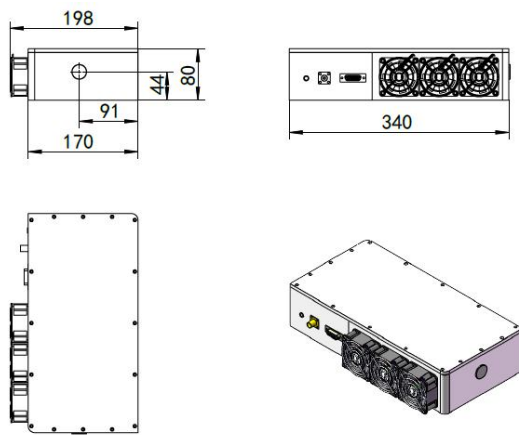


SPECIFICATIONS

Wavelength (nm)	532±1
Operating mode	Acousto-Optic Q-switched
Average power (W)	1~20W (20W@30kHz) Average power (W) = Single pulse energy (mJ) * Rep. rate (kHz)
Single pulse energy (μJ)	1~670 (670μJ @30kHz)
Rep. rate (kHz)	30~100
Pulse duration (ns)	~15 @30kHz
Peak power (kW)	1~45 (45kW@30kHz)
Ave power stability (over 4 hours)	<3%, <5%
Warm-up time (minutes)	<10
Beam divergence, full angle (mrad)	<2
Beam diameter at the aperture (1/e ² ,mm)	~2.0
M ² factor	<2
Beam height from base plate (mm)	44
Cooled method	Air cooled
Operating temperature (°C)	10~35
Power supply (220/110VAC)	PSU-AOM(3U)
Expected lifetime (hours)	10000
Warranty period	1 year

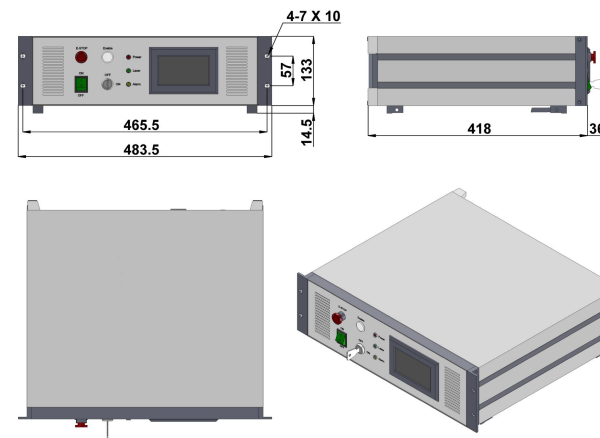


AO-X-532



340 (L) × 198(W) × 80 (H) mm³, 15kg

PSU-AOM (3U)



483.5 (L) × 454 (W) × 147.5 (H) mm³, 8.3 kg

Website: <http://www.cnilaser.com> E-mail: sales@cnilaser.com Tel: +86-431-85603799 Fax: +86-431-87020258

Kokyo

株式会社 光響
〒600-8411
京都市下京区烏丸通四条下ル水銀屋町637番地 第5長谷ビル2階
FAX: 075-320-1604 E-mail: info@symphotony.com