

AO-Y-1573/1~30uJ/1~1000mW

### LD PUMPED ALL-SOLID-STATE AOM Q-SWITCHED LASER

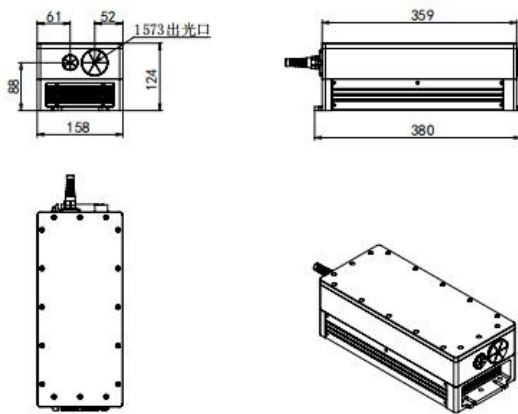
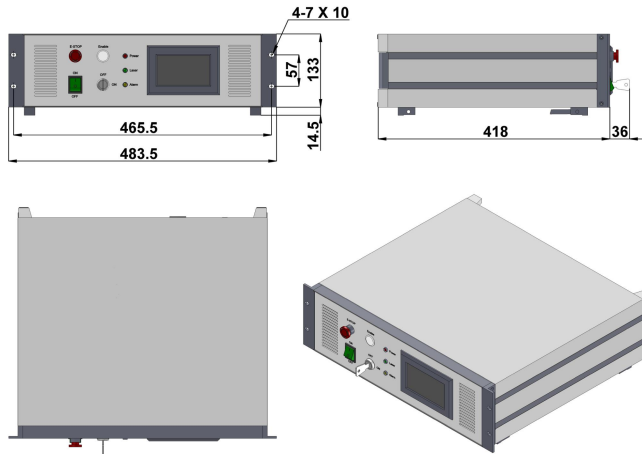
All solid state AOM Q-switched laser at 1573 nm has the features of high peak power, high repetition rate, and short pulse duration, which is widely used in laser radar ranging, spectrometry, remote sensing, and so on.



#### SPECIFICATIONS

Wavelength (nm)	1573±3
Operating mode	Acousto-Optic Q-switched
Output power (mW)	1~1000@30kHz
Pulse duration (ns)	~11@30kHz&1000mW
Rep. rate (kHz)	5~50
Single pulse energy (μJ)	1~30
Peak power (W)	1~3000
Ave power stability (over 4 hours)	<2%, <3%
Beam divergence, full angle (mrad)	<4
Beam diameter at the aperture (1/e <sup>2</sup> ,mm)	~7
Beam height from base plate (mm)	88
Warm-up time (minutes)	<10
Operating temperature (°C)	15~35
Power supply (220/110VAC)	PSU-AOM (3U)
Expected lifetime (hours)	10000
Warranty period	1 year



AO-Y-1573	PSU-AOM(3U)
 <p>380(L)×158(W)×124(H) mm<sup>3</sup>, 8.5kg</p>	 <p>483.5 (L) × 454 (W) × 147.5 (H) mm<sup>3</sup>, 8.3 kg</p>