

MDL-C-442/1~30mW



**LONG COHERENT LENGTH  
DIODE LASER AT 442nm**

It features a long coherent length, stable wavelength, long lifetime and easy operation. They are widely used in holography, interference, fluorescence, photoetching, flow cytometry, DNA sequencing, Raman spectroscopy, Laser radar, precision measurement, etc.

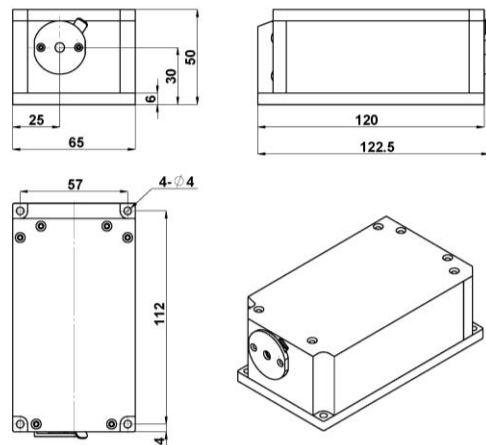


SPECIFICATIONS

Central wavelength (nm)	442±0.5
Operating mode	CW
Output power (mW)	>1, 2, 3, ...,30
Power stability (rms, over 4 hours)	<1%, <2%, <3%
Transverse mode	Multimode
Coherent length (m)	>1
Beam diameter at the aperture (1/e <sup>2</sup> ,mm)	~2.5×1.0
Beam divergence, full angle (mrad)	~0.5×4.0
Polarization ratio	>50:1 (>100:1, optional) Horizontal ±5 degree (Vertical Optional)
Warm-up time (minutes)	<5
Beam height from base plate (mm)	30
Operating temperature (°C)	20~30
Power supply (85-264VAC)	PSU-III-FDA
Expected lifetime (hours)	10000
Warranty	1 year

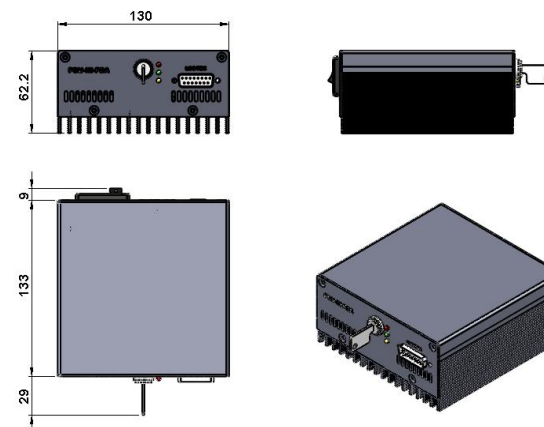


MDL-C-442



122.5(L) ×65(W) ×50 (H) mm<sup>3</sup>, 1.0kg

PSU-III-FDA



171(L) ×130(W) ×62.2 (H) mm<sup>3</sup>, 1.2kg