



PGL-F/1-80mW

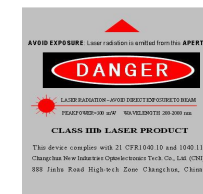
**PORTABLE LASER  
AT 405~845 nm**



PGL-F-405~845nm is made features of small size, high stability and long lifetime in portable laser. It can be controlled by PC. The lens can be changed.



**SPECIFICATIONS**

Wavelength (nm)	405	445	450	520	635	637	685	845
Wavelength range	±5	±5	±5	±5	±5	±5	±10	±10
Output power (mW)	1-80	1-50	1-80	1-50	1-20	1-50	1-50	1-50
Operating mode	CW/ PC control							
Fan angle	10° ,15° ,30° ,45° ,50° ,60° ,75° ,90°							
Noise of amplitude (rms, 20Hz~20MHz)	<0.5%, 1%							
Modulation frequency(kHz)	0.1-50							
Pointing stability after warm-up (mrad/°C)	<0.05							
Warm-up time (minutes)	<5							
Operating temperature (°C)	10~35							
Power supply	USB 5V±0.5V 1A							
Expected lifetime (hours)	5000							
Warranty	6 months							



PGL-F	Dimensions
 <p>A: <math>\Phi 19 \times 90 \text{mm}^2</math> B: <math>\Phi 19 \times 101 \text{mm}^2</math></p>	 <p>A: The length of lens (point laser) : 5mm B: The length of lens (line laser) : 16mm</p>