

PGL-V-FC series

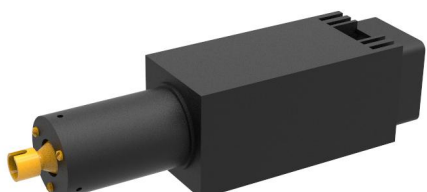
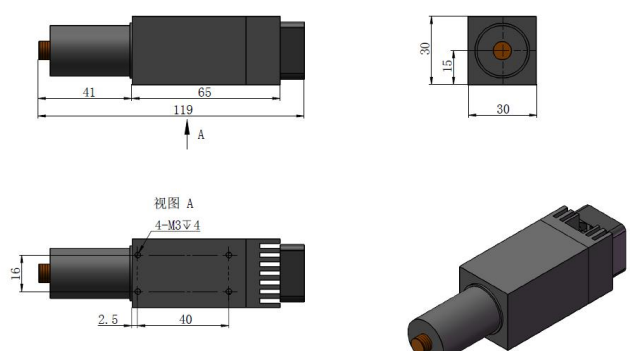
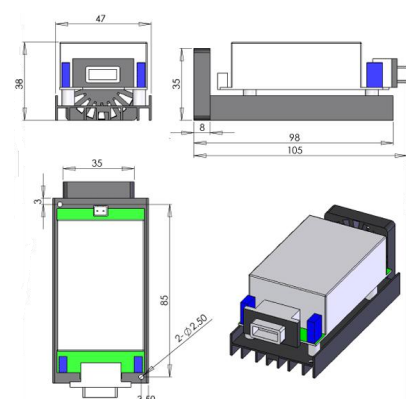
Fiber Coupled LASER MODULE

PGL-V-FC series laser is made features of wide temperature operating, high reliability, which is widely used in orientation, alignment and measurement, etc.



SPECIFICATIONS

Wavelength (nm)	405, 447, 450, 520, 532, 635, 637, 640	655, 658, 808
Output power (mW)	1~50	1~100
Transverse mode	TEM ₀₀	
Fiber	400 um core diameter with FC/SMA905	
Operating mode	CW	
Power stability (rms)	<5% , over 4 hours at constant temperature after warm up	
Operating temperature (°C)	15~30	
Power supply	90-264VAC	
Expected lifetime (hours)	10000	
Warranty period	6 months	

Picture	Laser Head	Power Supply
	 <p>视图 A 4-M3×4</p>	 <p>105 (L) × 47 (W) × 38 (H) mm³, 0.2 kg</p>