

TUN-W-1400~1800/1~2000mW

**LD PUMPED ALL-SOLID-STATE
Infrared LASER AT 1400~1800nm**

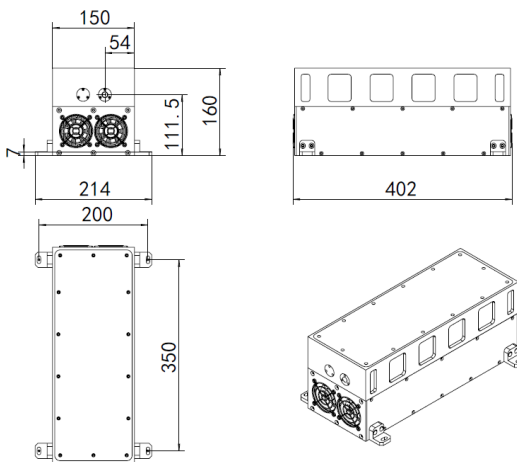
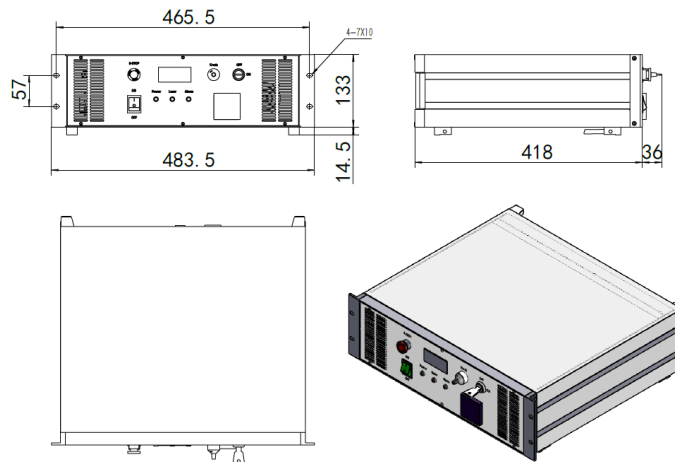
The series of laser provide a CW output power of about max 2000mW. The customer can order any wavelength range in the list. It is widely used in remote sensing, communication, spectrum analysis, etc.



SPECIFICATIONS

Wavelength (nm)	1400~1412	1420~1430	1435~1450	1445~1460	1455~1475	1495~1525	1520~1560	1560~1615	1623~1710	1670~1800
Wavelength deviation(nm)	±10									
Average power (mW)	>1, 100, 200, ..., 1500					>1, 100, 200, ..., 2000				
Operating mode	CW									
Power stability (rms, over 4 hours)	<5%, <10%									
Beam divergence, full angle (mrad)	<8									
Beam diameter at the aperture (1/e ² ,mm)	<10									
Beam height from base plate (mm)	111.5									
Warm-up time (minutes)	<10									
Operating temperature (°C)	15~30									
Power supply (90-264VAC)	PSU-AOM(3U)									
Expected lifetime (hours)	10000									
Warranty period	1 year									



TUN-W-1400~1800	PSU-AOM(3U)
 <p>402(L)×214(W) ×160(H) mm³, 10kg</p>	 <p>483.5 (L) ×454 (W) ×147.5 (H) mm³, 8.3 kg</p>