

405nm 10mW SM Laser Diode | Single Mode LD With Photodiode

405nm LD| 10mW Power|TO18 Package

WSLD-405-010m-1-PD

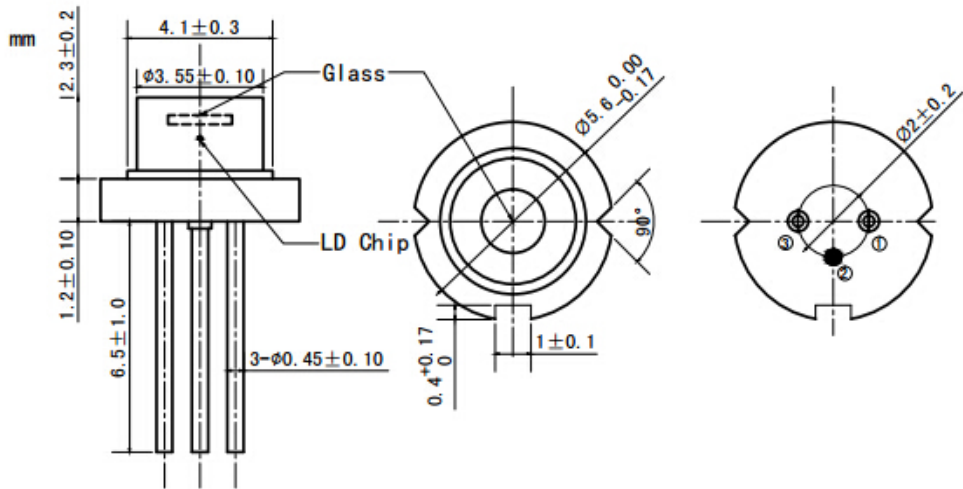
Wavespectrum Laser Group

www.wavespectrum-laser.com

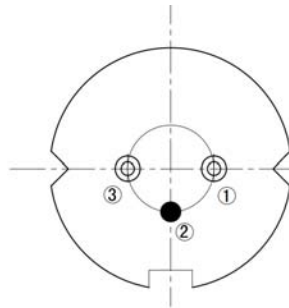
405nm Laser Diode		10mW/TO18		en.wavespectrum-laser.com.cn	
PARAMETER	SYMBOL	VALUE		UNIT	
Reverse Voltage	V_r	2.0		V	
Operating Temperature	T_{op}	0 ~ +75		°C	
Storage Temperature	T_{stg}	-40 ~ +85		°C	
Lead soldering temperature (10 sec.)	T_{is}	260		°C	
Features: <ul style="list-style-type: none"> 405nm CW TO18 Package Single Mode Beam 					
Applications: <ul style="list-style-type: none"> Medical Cure Printing Others 					
Specifications		WSLD-405-010m-1-PD			
		Min	Type	Max	
Center Wavelength@25°C		±5nm	405nm	±10nm	
Spectral Width (FWHM)		2.0nm			
Output Power		----	10mW	----	
Emitter		Single			
Beam Divergence (FWHM)		15°± x 5°//	19°± x 9°//	24°± x 12°//	
Monitor Current		0.1mA	0.2mA	0.6mA	
PD Reverse Voltage			----	30V	
Recommended Operating Temperature		25°C			
Slope Efficiency		0.7mW/mA	1.0mW/mA	----	
Threshold Current (Typ.)		----	25mA	----	
Operating Current (Typ.)		----	40mA	----	
Operating Voltage		----	6.0V	----	
Package Style		TO18(5.6mm)			



TO18(5.6mm) Package View



PIN Bottom View:



1	LD(+)
2	LD(-)&PD(-)
3	PD(+)

Electrically shorten LD module and store in non-extreme conditions.
Suggest using the constant current power supply.

