



AO-T-532 /1~600μJ/1~6W



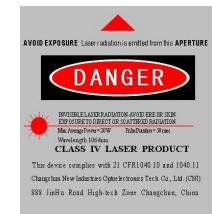
LD PUMPED ALL-SOLID-STATE
AOM Q-SWITCHED LASER

All solid state AOM Q-switched laser AO-T-532 has the features of high peak power, high repetition rate, and short pulse duration, which is widely used in marking on harder metals such as Titanium, Inconel, or Tool Steel.

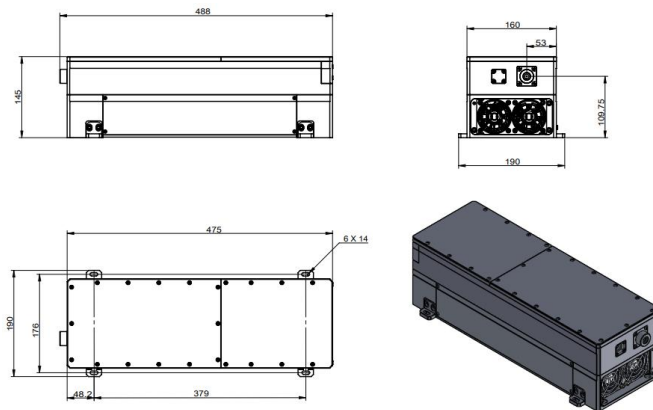


SPECIFICATIONS

Wavelength (nm)	532±1
Operating mode	Acousto-Optic Q-switched
Average power (W)	1~6W (6W@10kHz) Average power (W) = Single pulse energy (mJ) * Rep. rate (kHz)
Single pulse energy (μJ)	>600μJ @10kHz
Rep. rate (kHz)	10~100
Pulse duration (ns)	~30 @10kHz (optional)
Peak power (kW)	1~20 @(20kW@10kHz)
M ² factor	<1.1
Warm-up time (minutes)	<10
Beam divergence, full angle (mrad)	<3.5
Beam diameter at the aperture (1/e ² , mm)	~1.5
Beam height from base plate (mm)	109.75
Polarization ratio	>100:1
Cooled method	Air cooled
Operating temperature (°C)	10~35
Power supply (220/110VAC)	PSU-AOM(3U)
Expected lifetime (hours)	10000
Warranty period	1 year

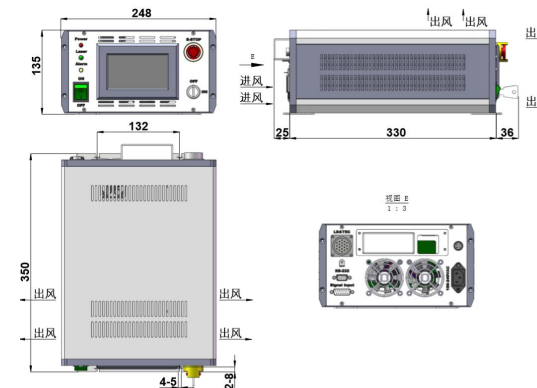


AO-T-532



488 (L) × 190 (W) × 145 (H) mm³, 16.0kg

PSU-AOM(3U)



391 (L) × 248 (W) × 135 (H) mm³, 6.0 kg