

AO-Y-2600~4200/1~16.7uJ/1~500mW

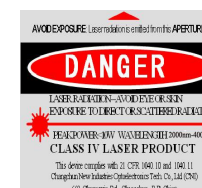
SPECIFICATIONS

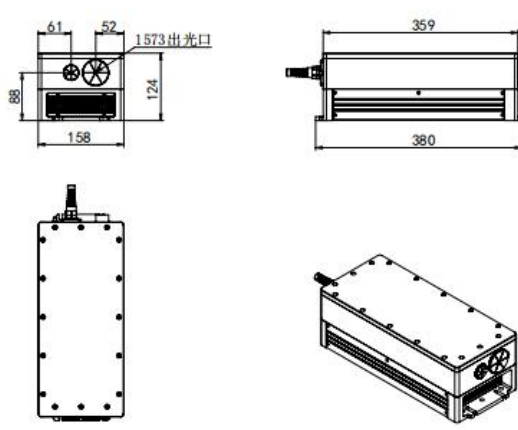
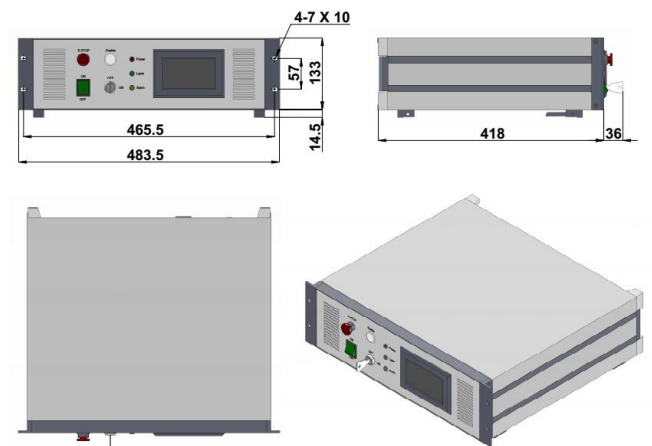
LD PUMPED ALL-SOLID-STATE Q-SWITCHED LASER

All CNI's Q-switched DPSS laser at 2600~4200nm have high peak power, high repetition rate, and short pulse duration, it is widely used in medical treatment, scientific research and so on.



Wavelength (nm)	2600	2800	3000	3200	3400	3600	3800	4000	4200
Operating mode	Acousto-Optic Q-switched								
Max average power (mW)	>10, 30, ...,500							> 10, 30, ...,100	
Power stability (over 4 hours)	3%, <5%								
Pulse duration (ns)	~12@30kHz&500mW								
Rep. rate (kHz)	30								
Single pulse energy (uJ)	1~16.7								
Beam divergence, full angle (mrad)	<10								
Beam diameter at the aperture (1/e <sup>2</sup> ,mm)	~4								
Beam height from base plate (mm)	88								
Warm-up time (minutes)	<10								
Operating temperature (°C)	10~35								
Power supply (90-264VAC)	PSU-AOM(3U)								
Expected lifetime (hours)	10000								
Warranty period	1 year								



AO-Y-2600~4200	PSU-AOM(3U)
 <p>380(L)×158(W)×124(H) mm<sup>3</sup>, 8.5kg</p>	 <p>483.5 (L) ×454 (W) ×147.5 (H) mm<sup>3</sup>, 8.3 kg</p>