



FL-1484-CW/1~10W

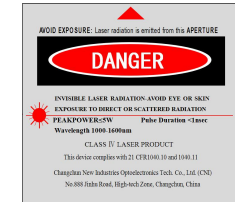
SPECIFICATIONS

HIGH POWER ALL FIBER CW LASER

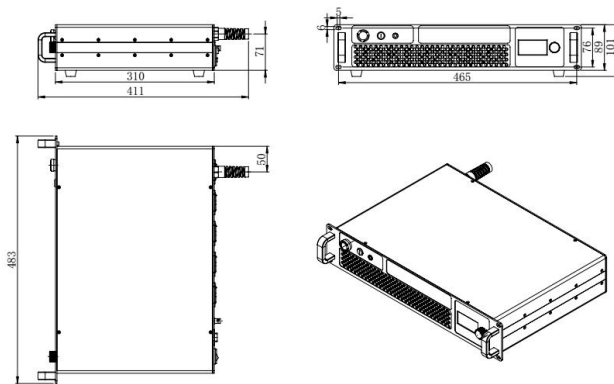
High Power all fiber CW laser at 1484nm is made features of ultra compact, long lifetime, low cost and easy operating, which is widely used in Pump for mid-IR laser, Pump source for OPO, Pump source for long distance communication, etc.



Wavelength (nm)	1484±1		
Operating mode	CW		
Output power (W)	1W	5W	10W
Power stability (rms, over 4 hours)	<0.5%, <1%		
Line width(nm)	<0.3nm		
M ² factor	<1.2		
Output Fiber termination	FC/PC(single mode:9/125, fiber core diameter:9um)or Collimator(4~6mm)		
Polarization ratio	Random		
Warm-up time (minutes)	<15		
Delivery cable length (m)	variable		
Operating temperature (°C)	15~35		
Power supply	AC 220V		
Expected lifetime (hours)	10000		
Warranty	1 year		



FL-1484-CW



411(L)×483(W) ×101(H) mm³, 5kg

