

MBL-SF-484/1~20mW

SPECIFICATIONS

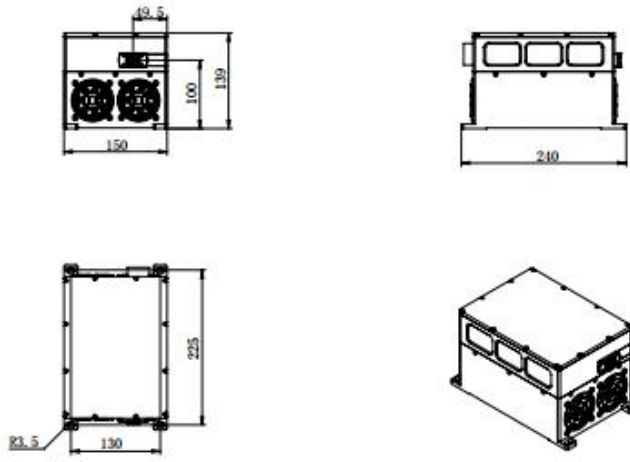
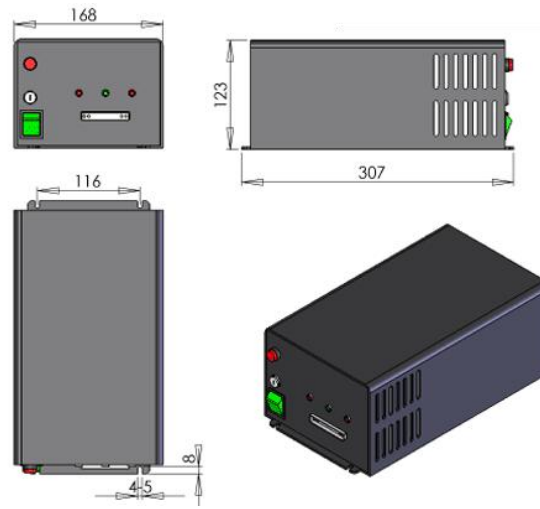
LD PUMPED ALL-SOLID-STATE  
BLUE LASER

CNI's All solid state at 484nm blue laser features of ultra compact, long lifetime, low cost and easy operating, which is used in laser display, medical treatment, scientific research, etc.



Wavelength (nm)	484±1
Operating mode	CW
Output power (mW)	>1, 2, ...,20
Power stability (rms, over 4 hours)	<3%, <5%
Transverse mode	Near TEM <sub>00</sub>
Beam divergence, full angle (mrad)	<3
Beam diameter at the aperture (1/e <sup>2</sup> ,mm)	~4
Beam height from base plate (mm)	100
Warm-up time (minutes)	<10
Operating temperature (°C)	15~30
Power supply (90-264VAC)	PSU-W-FDA
Expected lifetime (hours)	10000
Warranty period	1 year



MBL-SF-484	PSU-W-FDA
 <p>240(L)×150(W)×139(H) mm<sup>3</sup>, 7.5kg</p>	 <p>307 (L) ×168(W) ×123(H) mm<sup>3</sup>, 4.5kg</p>



**长春新产业光电技术有限公司**  
Changchun New Industries Optoelectronics Tech. Co., Ltd.

**DATA SHEET**