

MIL-W-2796/10~300mW

LD PUMPED ALL-SOLID-STATE INFRARED LASER

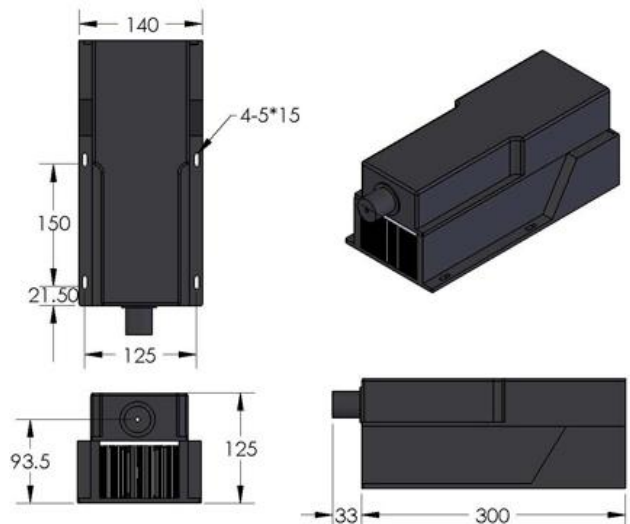
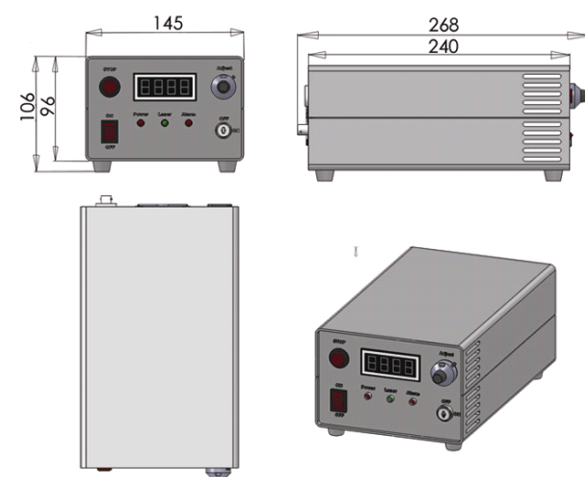
CNI's All solid state infrared laser at 2796nm is always called waterlaser. It is made features of good beam quality and easy operating, they are widely used in medical treatment in which it can perform many procedures without a shot or a drill.



SPECIFICATIONS

Wavelength (nm)	2796±3
Operating mode	CW
Output power (mW)	>10, 20, ...300
Power stability (rms, over 4 hours)	<3%, <5%
Transverse mode	Near TEM ₀₀
Beam divergence, full angle (mrad)	<8
Beam diameter at the aperture (mm)	<3
Warm-up time (minutes)	<10
Beam height from base plate (mm)	93.5
Operating temperature (°C)	15~30
Power supply (90-264VAC)	PSU-H-LED
Expected lifetime (hours)	10000
Warranty period	1 year



MIL-W-2796	PSU-H-LED
 <p>333(L)×140(W) ×125(H) mm³, 6.1 kg</p>	 <p>268 (L) ×145(W) ×106 (H) mm³, 2.6 kg</p>