

TUN-W-1527~1660/1~2000mW

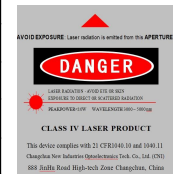
**LD PUMPED ALL-SOLID-STATE
Infrared LASER AT 1527~1660nm**

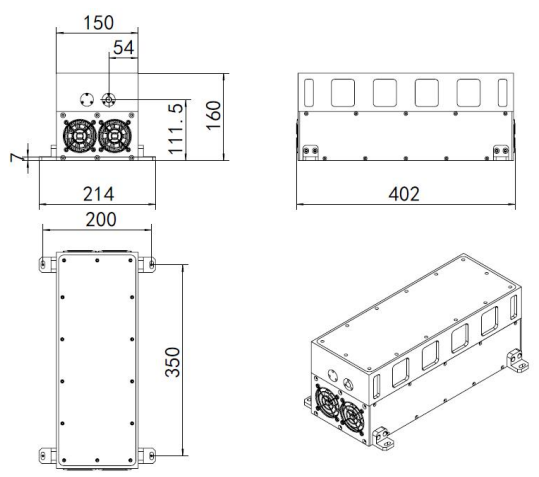
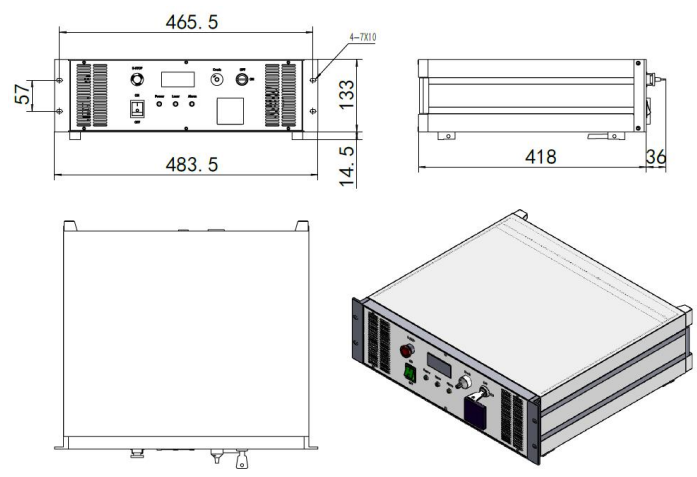
The series of laser provide a CW output power of about max 2000mW. The customer can order any wavelength range in the list. It is widely used in remote sensing, communication, spectrum analysis, etc.



SPECIFICATIONS

Wavelength (nm)	1527~1535	1573~1583	1640~1660
Wavelength deviation(nm)	±10		
Average power (mW)	>1, 100, 200, ..., 2000		
Operating mode	CW		
Power stability (rms, over 4 hours)	<3%, <5%		
Beam divergence, full angle (mrad)	<10		
Beam diameter at the aperture (1/e ² ,mm)	<10		
Beam height from base plate (mm)	111.5		
Warm-up time (minutes)	<10		
Operating temperature (°C)	15~30		
Power supply (90-264VAC)	PSU-AOM(3U)		
Expected lifetime (hours)	10000		
Warranty period	1 year		



TUN-W-1527~1660	PSU-AOM(3U)
 <p>402(L)×214(W)×160(H) mm³,10kg</p>	 <p>483.5 (L) ×454 (W) ×147.5 (H) mm³, 8.3 kg</p>