

AO-355W 3W/5W/12W



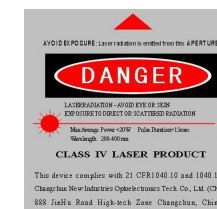
LD PUMPED ALL-SOLID-STATE
AOM Q-SWITCHED LASER at 355NM

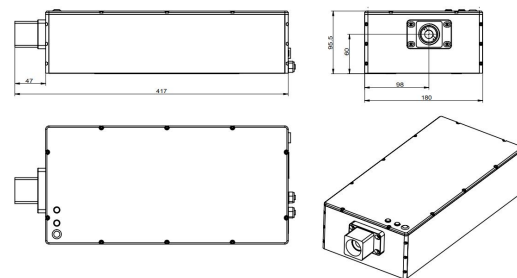
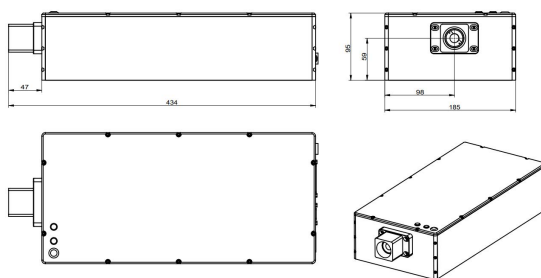
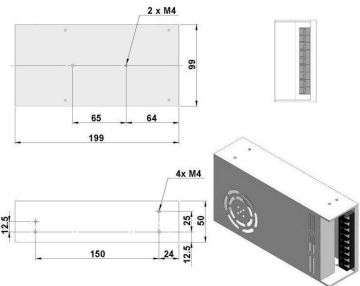

All solid state AOM Q-switched laser at 355 nm has the features of high peak power, high repetition rate, and short pulse duration, which is used in scientific research, biology, instrumentation, 3D marking, laser marking, sub-surface engraving and so on.



SPECIFICATIONS

Wavelength (nm)	355±1		
Operating mode	Acousto-Optic Q-switched		
Average power (W)	3W@30kHz	5W@30kHz	12W@50kHz
	Average power (W) = Single pulse energy (mJ) * Rep. rate (kHz)		
Single pulse energy (μJ)	>100@30kHz	>160@30kHz	>200@50kHz
Rep. rate (kHz)	20~200	20~200	50~200
Pulse width (ns)	~12 @30kHz	~15 @30kHz	~11 @50kHz
Transverse mode	TEM ₀₀		
Beam Circularity (%)	>90		
M ² factor	<1.2		
Warm-up time (minutes)	<10		
Beam divergence, full angle (mrad)	<1.5		
Beam diameter at the aperture (1/e ² , mm)	~1.5		
Beam height from base plate (mm)	60	59	
Cooled method	Water Cooled		
Operating temperature (°C)	10~35		
Supply Voltage	DC 12V(≥25A)	DC 12V(≥25A)	DC 24V(≥13A)
Dimension(mm ³)	417*180*95.5	417*180*95.5	434*185*95
Weight(Kg)	9.8	9.8	10.6



AO-355W		Power supply 100-240VAC (Optional)	WCH-370 (Optional)
3W/5W	12W		
 <p>417 (L) × 180 (W) × 95.5 (H) mm³, 9.8 kg</p>	 <p>434 (L) × 185 (W) × 95 (H) mm³, 10.6 kg</p>	 <p>199 (L) × 99 (W) × 50 (H) mm³, 0.9 kg</p>	 <p>580 (L) × 290 (W) × 470 (H) mm³, 23 kg</p>