

EO-1064-G/0.5~0.8mJ

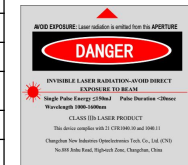
**HIGH ENERGY DIODE
PUMPED ALL-SOLID-STATE
Q-SWITCHED LASER**

High energy diode pumped all solid state Q-switched laser at 1064nm has the features of high single pulse energy, short pulse duration, and high peak power, which is widely used in radar, topography measurement, marking, ranging, micro-processing, scientific research, and so on.

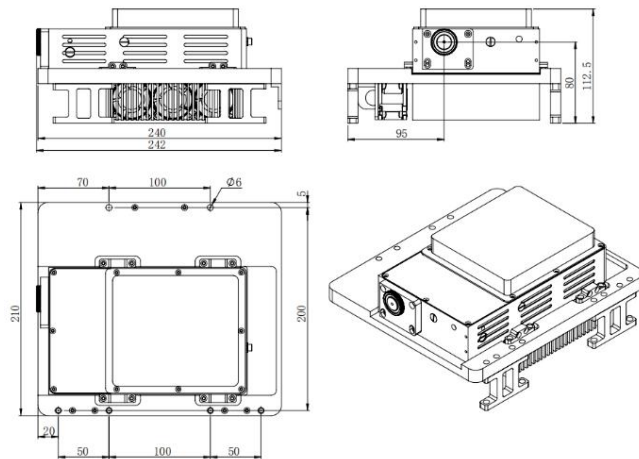


SPECIFICATIONS

Wavelength (nm)	1064±1		
Operating mode	Q-switched: EO (Electro-optic)		
Single pulse energy (mJ)	0.8@1KHz	0.8@5KHz	0.3@25KHz
Pulse duration (ns)	<8@1KHz	<8@5KHz	<15@25KHz
Rep. rate (kHz)	1Hz~1kHz	1k~7kHz	1k~25kHz
Power stability (rms)	<1%, <2%		
M ²	<1.2		
Pointing stability (urad, std)	<20		
Beam divergence, full angle (mrad)	<3		
Beam diameter (mm)	~1		
Beam height from base plate (mm)	80		
Warm-up time (minutes)	<15		
Cooled method	Air cooled		
Operating temperature (°C)	15~30		
Power supply (DC 24V)	PSU-EO-G		
Expected lifetime (hours)	10000		
Warranty period	1 year		
Options	Higher energy can be customized; Higher frequency can be customized		

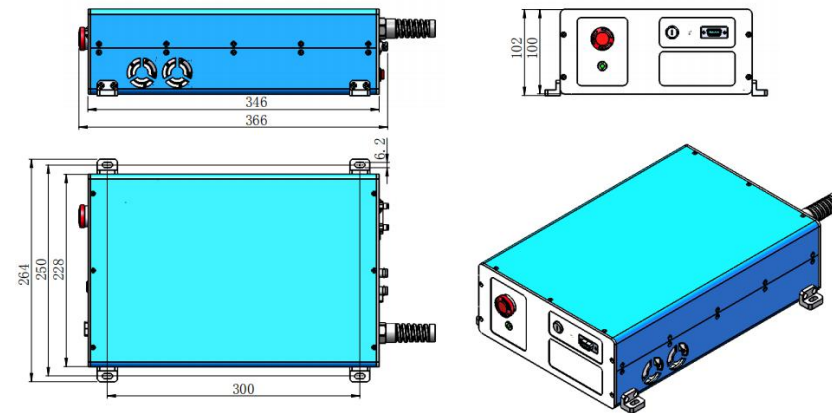


EO-1064-G



242(L)×210(W)×112.5(H)mm³ 5.8kg

PSU-EO-G(DC 24V)



366(L)×264(W)×102(H)mm³ 6.5kg