

EO-1064-N/1~2.5mJ

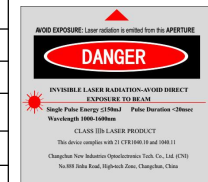
**HIGH ENERGY DIODE  
PUMPED ALL-SOLID-STATE  
Q-SWITCHED LASER**

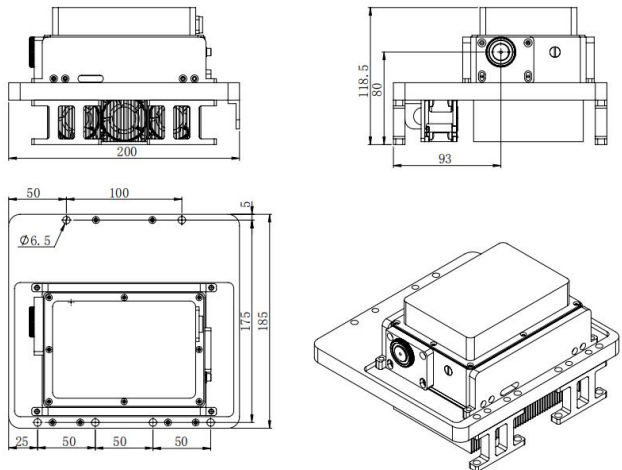
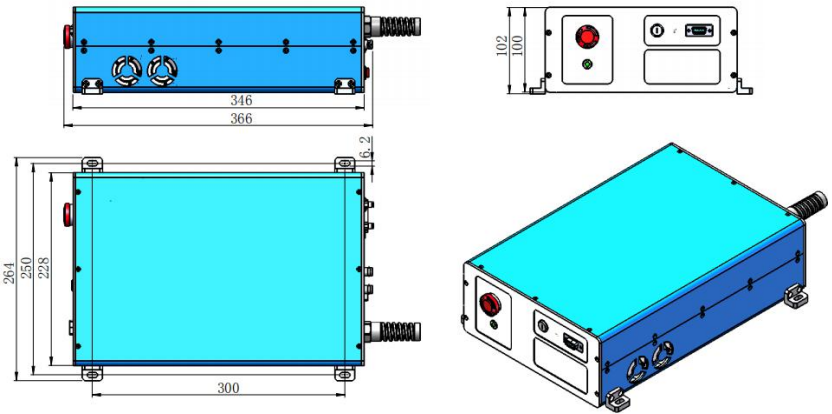
High energy diode pumped all solid state Q-switched laser at 1064nm has the features of high single pulse energy, short pulse duration, and high peak power, which is widely used in radar, topography measurement, marking, ranging, micro-processing, scientific research, and so on.



SPECIFICATIONS

Wavelength (nm)	1064±1				
Operating mode	Q-switched: EO (Electro-optic)				
Single pulse energy (mJ)	0.8@1KHz	0.8@5KHz	0.3@20KHz	1.5@3KHz	2.5mJ@2KHz
Pulse duration (ns)	<7@1KHz	<7@5KHz	<8@20KHz	<12@3KHz	<13@2KHz
Rep. rate (Hz)	1Hz~1kHz	1k~7kHz	1k~25kHz	One fixed value between 1k~3kHz	
Power stability (rms)	<1%, <2%				
M <sup>2</sup>	<1.5			<2	
Pointing stability (urad, std)	<20				
Beam divergence, full angle (mrad)	<3				
Beam diameter (mm)	~1				
Beam height from base plate (mm)	80				
Warm-up time (minutes)	<15				
Cooled method	Air cooled				
Operating temperature (°C)	15~30				
Power supply (DC 24V)	PSU-EO-N				
Expected lifetime (hours)	10000				
Warranty period	1 year				
Options	Higher energy can be customized; Higher frequency can be customized				



EO-1064-N	PSU-EO-G(DC 24V)
 <p>200(L)×185(W)×118.5(H)mm<sup>3</sup> 5.7kg</p>	 <p>366(L)×264(W)×102 (H)mm<sup>3</sup> 6.5kg</p>