



FL-1030-PS-Seed/0.5~1mW

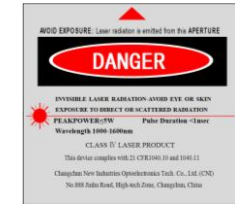
SPECIFICATIONS

**MODE-LOCKED ALL FIBER
PULSED LASER**

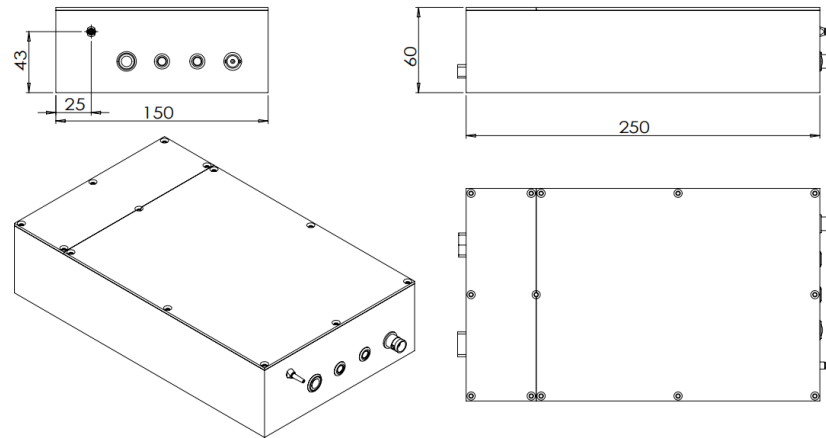
Mode-locked all fiber pulsed laser at 1030nm with SESAM technique is made features of high output power stability, good beam profile, ultra compact, long lifetime, cost-effectiveness and easy operating, which is widely used in laser radar, life science, microelectronics, scientific research, etc.



Wavelength (nm)	1030±1	
Operating mode	Passive mode-locked	
Output power (mW)	0.5	1
Power stability (rms, over 4 hours)	<1%, <3%	
Pulse width (ps)	<10	
M ² factor	<1.2	
Repetition frequency (MHz)	One fixed value between (20-50) ±1 MHz	
Polarization ratio	Random / > 15dB	
Warm-up time (minutes)	<15	
Delivery cable length (m)	variable	
Operating temperature (°C)	15~35	
Power supply	12V DC	
Expected lifetime (hours)	10000	
Warranty	1 year	



FL-1030-PS-Seed (1mW)



250(L)×150(W) ×60(H) mm³ 1kg