



FL-1064-PS-Seed/0.5~1mW

SPECIFICATIONS

MODE-LOCKED ALL FIBER PULSED LASER

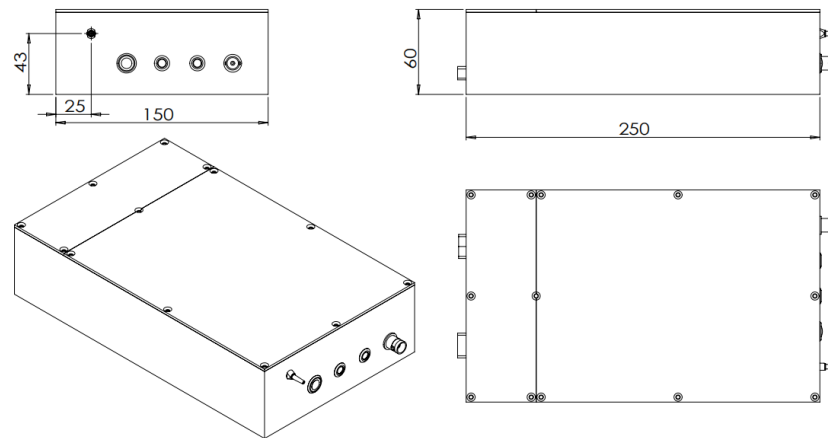
Mode-locked all fiber pulsed laser at 1064nm with SESAM technique is made features of high output power stability, good beam profile, ultra compact, long lifetime, cost-effectiveness and easy operating, which is widely used in life science, scientific research, etc.



Wavelength (nm)	1064 ±1	
Operating mode	Passive mode-locked	
Output power (mW)	0.5	1
Power stability (rms, over 4 hours)	<1%, <3%	
Pulse width (ps)	<2, <10	
M <sup>2</sup> factor	<1.2	
Repetition frequency (MHz)	One fixed value between (20-60) ±1 MHz	
Polarization ratio	Random / > 15dB	
Warm-up time (minutes)	<15	
Delivery cable length (m)	variable	
Operating temperature (°C)	15~35	
Power supply	12V DC	
Expected lifetime (hours)	10000	
Warranty	1 year	



FL-1064-PS-Seed (1mW)



250(L)×150(W)×60(H) mm<sup>3</sup> 1kg