



FL-1120-CW/1~20W

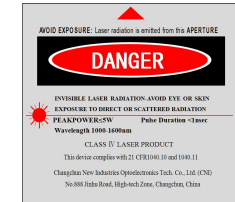
HIGH POWER ALL FIBER CW LASER

High Power all fiber CW laser at 1120nm is made features of ultra compact, long lifetime, low cost and easy operating, which is widely used in biomedicine, spectroscopy, laser sintering, laser microprocessing, laser sensing, Raman laser pumping source, etc.

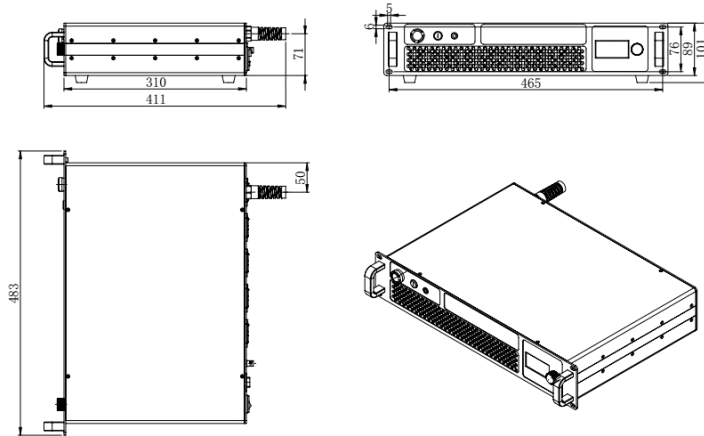


SPECIFICATIONS

Wavelength (nm)	1120±1			
Operating mode	CW			
Output power (W)	5W	10W	15W	20W
Power stability (rms, over 4 hours)	<0.5%, <1%			
Line width(nm)	<2nm			
M ² factor	<1.3			
Output Fiber termination	FC/APC(single mode:10um) or Collimator(4~6mm)			
Polarization ratio	Random			
Cooled method	Air cooled			
Warm-up time (minutes)	<15			
Delivery cable length (m)	variable			
Operating temperature (°C)	15~35			
Power supply	AC 220V			
Expected lifetime (hours)	10000			
Warranty	1 year			



FL-1120-CW



411(L)×483(W)×101(H) mm³, 5kg

