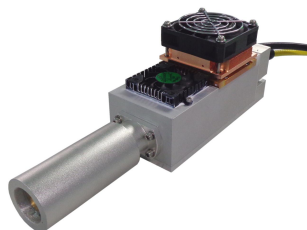


FL-532 1.5W/3W/4.5W



FL SERIES 532nm LASER SOURCE
FOR LASER MARKING

FL-532nm series laser has the features of high peak power, high repetition rate, and short pulse duration, which is widely used in laser marking, engraving on the diamond, metal, Steel, IC, Plastics, and also in scientific research.

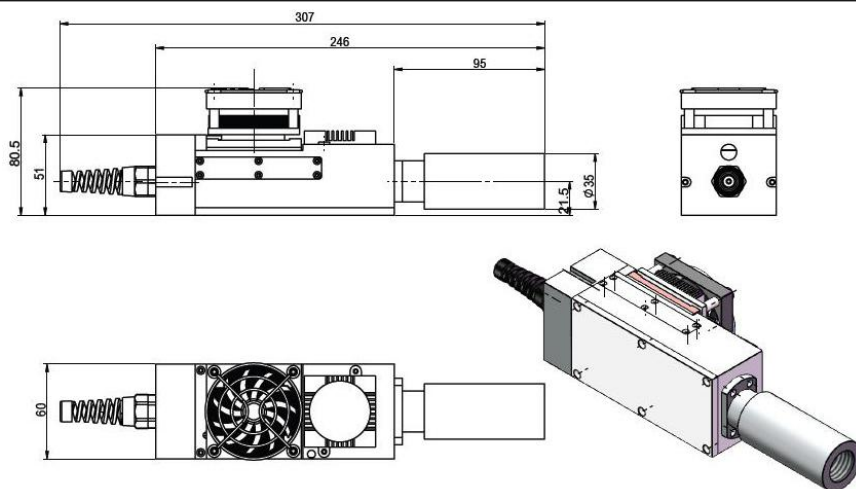


SPECIFICATIONS

Wavelength (nm)	532±1		
Operating mode	Passively Q-switched		
Average power (W)	~1.5	~3	~4.5
Single pulse energy (μJ)	~75	~150	~220
Peak power (kW)	~15	~30	~45
Pulse duration (ns)	~5		
Rep. rate (kHz)	1~20kHz, Suitable for the applications of needing high peak power.		
Transverse mode	TEM ₀₀		
Beam divergence, full angle (mrad)	<1.5		
Beam diameter at the aperture (1/e ² , mm)	~7.0		
Warm-up time (minutes)	<10		
Beam height from base plate (mm)	21.5		
Operating temperature (°C)	0~40		
Power supply (12VDC)	PSU-FL-FDA (switching power supply 12V/25A DC, choosed,)		
Expected lifetime (hours)	20000		
Warranty period	1 year		

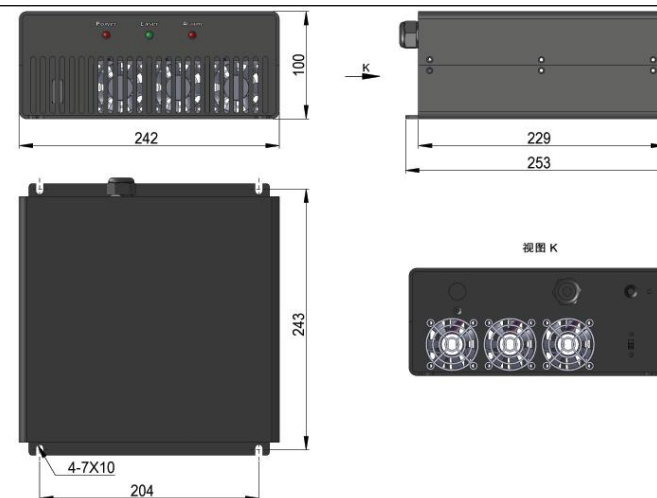


FL-532 (N)



307 (L) × 60 (W) × 80.5 (H) mm³, 1.5 kg

PSU-FL-FDA



253 (L) × 242 (W) × 100 (H) mm³, 3.6 kg