

MBL-SF-434/1~100mW

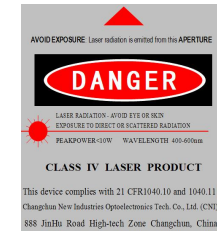
LD PUMPED ALL-SOLID-STATE BLUE LASER

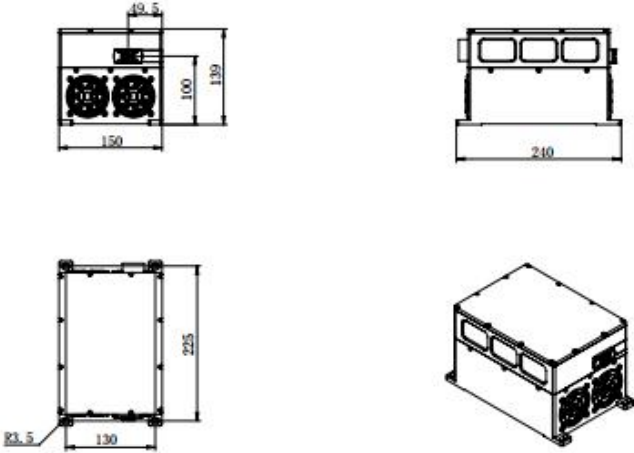
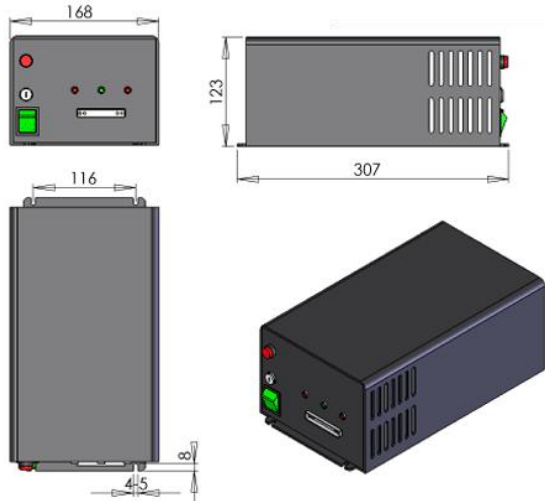
CNI's All solid state at 434nm blue laser features of ultra compact, long lifetime, low cost and easy operating, which is used in laser display, medical treatment, scientific research, etc.



SPECIFICATIONS

Wavelength (nm)	434±1
Operating mode	CW
Output power (mW)	>1, 10, 20, ..., 100
Power stability (rms, over 4 hours)	<3%, <5%,
Transverse mode	Near TEM ₀₀
Beam divergence, full angle (mrad)	<2
Beam diameter at the aperture (1/e ² ,mm)	~5
Polarization ratio	>100:1
Beam height from base plate (mm)	100
Warm-up time (minutes)	<10
Operating temperature (°C)	15~30
Power supply (90-264VAC)	PSU-W-FDA
Expected lifetime (hours)	10000
Warranty period	1 year



MBL-SF-434	PSU-W-FDA
 <p>240(L)×150(W)×139(H) mm³, 7.5kg</p>	 <p>307 (L) ×168(W) ×123(H) mm³, 4.5kg</p>