

MDL-F-442/1000~3500mW

SPECIFICATIONS



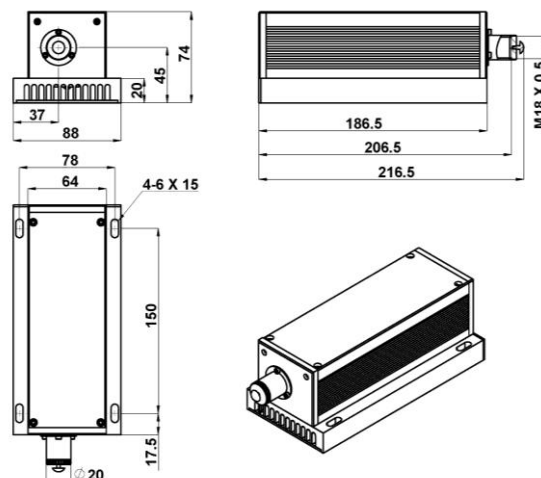
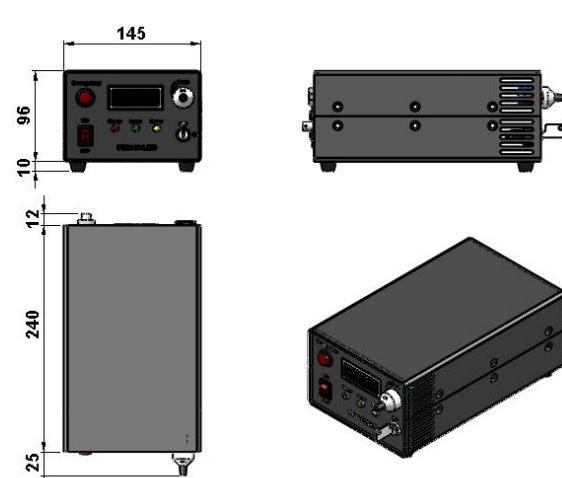
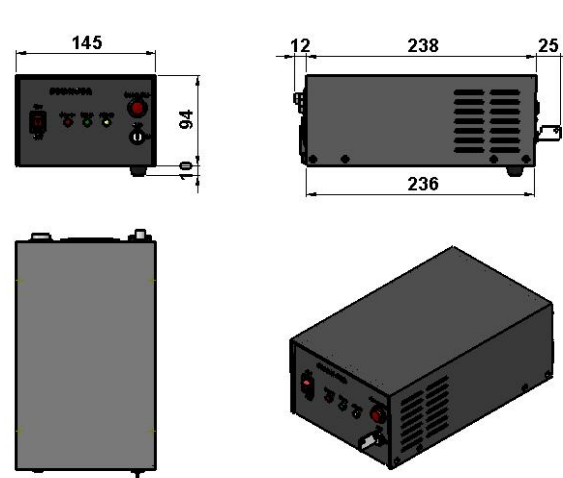
BLUE DIODE LASER
AT 442nm

It features ultra compact design, long lifetime, cost-effectiveness and easy operation. They are widely used in measurement, communication, spectrum analysis, etc.



Central wavelength (nm)	442±5	
Operating mode	CW	
Output power (mW)	>1000, 1100, 1200, ..., 2000	>2000, 2100, 2200, ..., 3500
Power stability (rms, over 4 hours)	<1%, <2%, <3% (<0.5%, optional)	
Transverse mode	Multimode	
Beam diameter at the aperture ((1/e ²), mm)	~2.7×2.7	~3.5×3.5
Beam divergence, full angle (mrad)	1.4×0.2	
Warm-up time (minutes)	<5	
Beam height from base plate (mm)	45	
Operating temperature (°C)	10~35	
Power supply (100-240VAC)	PSU-H-LED/ PSU-H-FDA	
TTL / Analog modulation	TTL or Analog with 1Hz-1kHz 1kHz-10kHz, 10kHz-30kHz optional	
Expected lifetime (hours)	10000	
Warranty	1 year	



MDL-F-442	PSU-H-LED	PSU-H-FDA
 <p>216.5 (L) × 88 (W) × 74 (H) mm³, 1.4kg</p>	 <p>277 (L) × 145 (W) × 106 (H) mm³, 2.3kg</p>	 <p>275 (L) × 145 (W) × 104 (H) mm³, 2.1kg</p>

Website: <http://www.cnilaser.com> E-mail: sales@cnilaser.com Tel: +86-431-85603799 Fax: +86-431-87020258