

MDL-III-445L/447L/450L/1~80mW



**BLUE DIODE LASER  
AT 445/447/450nm**

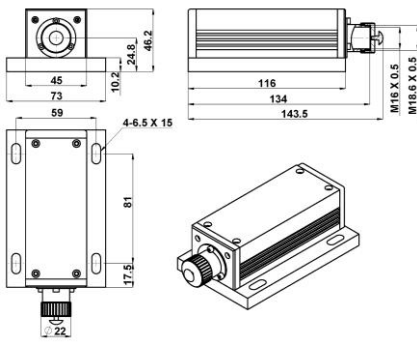
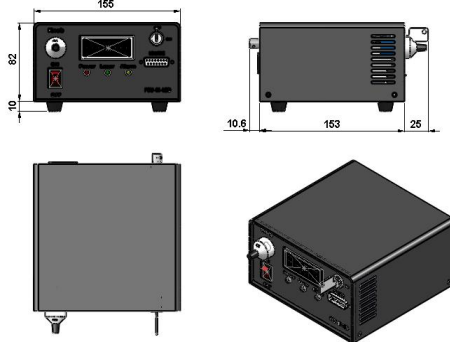
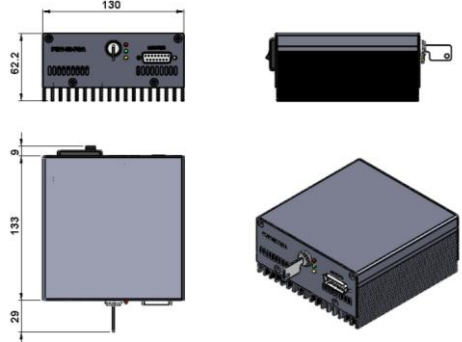
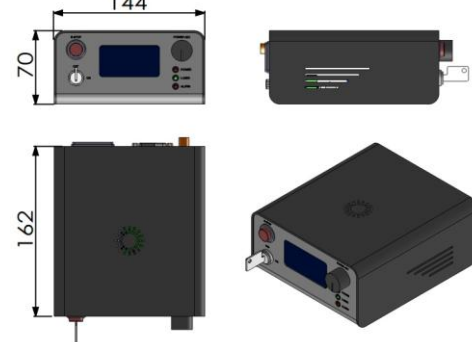
It features ultra compact design, long lifetime, cost-effectiveness and easy operation. They are used in scientific research, laser pointing, measurement, communication, spectrum analysis, etc.



SPECIFICATIONS

Model	MDL-III-445L	MDL-III-447L	MDL-III-450L
Central wavelength (nm)	445±5	447±5	450±5
Operating mode	CW		
Output power (mW)	>1, 10, 20, ..., 80		
Power stability (rms, over 4 hours)	<1%, <2%, <3% (<0.5%, optional)		
Transverse mode	Near TEM <sub>00</sub>		
M <sup>2</sup> factor	<1.5 (<1.2, optional)		
Beam diameter at the aperture (1/e <sup>2</sup> ,mm)	~3.5 (~1.2, optional)		
Beam divergence, full angle (mrad)	<1		
Polarization ratio	>50:1 (>100:1, optional) Horizontal±5 degree (Vertical Optional)		
Warm-up time (minutes)	<5		
Pointing stability after warm-up (mrad)	<0.05		
Beam height from base plate (mm)	24.8		
Operating temperature (°C)	10~35		
Power supply	85-264VAC	PSU-III-LED/ PSU-III-FDA (Frequency for 1Hz-30kHz)	
	100-240VAC	PSU-A-D (Frequency for 30kHz-100kHz)	
TTL / Analog modulation	TTL or Analog with 1Hz-1kHz 1kHz-10kHz, 10kHz-30kHz, 30kHz-100kHz optional		
Expected lifetime (hours)	10000		
Warranty	1 year		



MDL-III-445L/447L/450L	PSU-III-LED	PSU-III-FDA	PSU-A-D
 <p>143.5(L)×73(W)×46.2(H) mm<sup>3</sup>, 0.7kg</p>	 <p>188.6 (L) ×155(W) ×92 (H) mm<sup>3</sup>, 1.5kg</p>	 <p>171(L) ×130(W) ×62.2 (H) mm<sup>3</sup>, 1.2kg</p>	 <p>162(L) ×144(W) ×70 (H) mm<sup>3</sup>, 1.0kg</p>