

MGL-W-552/300mW~2000mW

LD PUMPED ALL-SOLID-STATE GREEN LASER AT 532NM

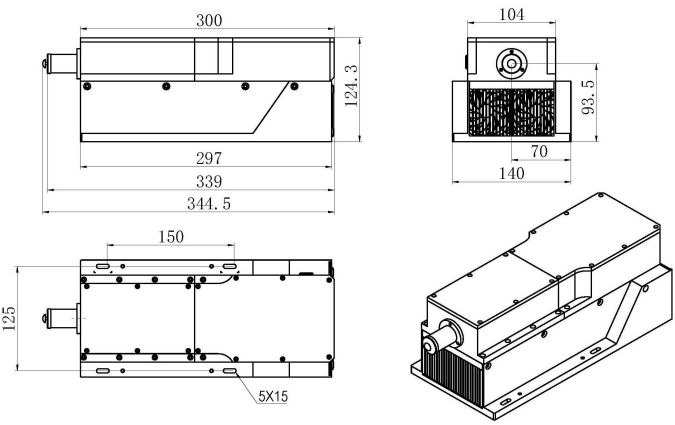
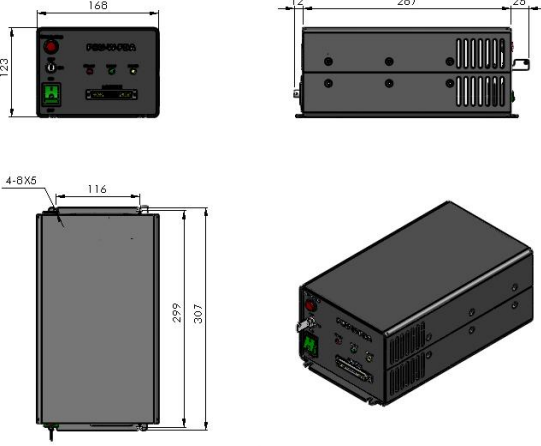
DPSS green laser at 552nm is made features of ultra compact, long lifetime and easy operating, which is used in measurement, medical treatment, scientific research, etc.



SPECIFICATIONS

Wavelength (nm)	552±2
Operating mode	CW
Output power (mW)	>300,1000, ..., 2000
Power stability (rms, over 4 hours)	<3%, <5%
Transverse mode	Near TEM <sub>00</sub>
Beam divergence, full angle (mrad)	<4
Beam diameter at the aperture (1/e <sup>2</sup> ,mm)	<3
Beam height from base plate (mm)	93.5
Warm-up time (minutes)	<10
Operating temperature (°C)	15~30
Power supply (90-264VAC)	PSU-W-FDA
Expected lifetime (hours)	10000
Warranty period	1 year



MGL-W-552	PSU-W-FDA
 <p>344.5 (L) × 140 (W) × 124.3 (H) mm<sup>3</sup>, 5.7 kg</p>	 <p>307 (L) × 168(W) × 123(H) mm<sup>3</sup>, 4.5kg</p>