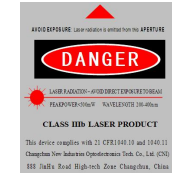


MLL-FN series



LD PUMPED ALL-SOLID-STATE LOW NOISE LASER

Low noise all solid state laser is made features of high output power stability, good beam profile, ultra compact, long lifetime, low cost and easy operating, which is widely used in collimation, laser medical treatment, scientific experiment, optical instrument, etc.



SPECIFICATIONS

Wavelength (nm)	360±1	473±1	522±1	523.5±1		
Operating mode	CW					
Output power (mW)	1-50	100-200	200-400	1-100	1-300	300-600
Power stability (rms, over 4 hours)	<0.5%, <1%, <2%, <3%	<1%, <2%, <3%	<2%, <3%, <5%	<3%, <5%	<2%, <3%, <5%	<3%, <5%, <10%
Spectral line width (nm)	<0.2	<0.2 (<0.003 Optional)	<0.2	<0.2 (<0.003 Optional)		
Transverse mode	TEM ₀₀			NearTEM ₀₀		
Noise of amplitude (rms, 1Hz~20MHz)	<1%					
M ² factor	<1.5					
Beam diameter at the aperture (1/e ² , mm)	<1.2			<2.0		
Beam divergence, full angle (mrad)	<1.0			<1.5		
Polarization Ratio	>50:1 (Horizontal or Vertical Optional)		>100:1, (Horizontal or Vertical Optional)			
Warm-up time (minutes)	<10			<5		
Pointing stability after warm-up (mrad)	<0.05					
Beam height from base plate (mm)	27.4					
Max. Laser Head Base plate Temp (°C)	50					
Operating Temperature (°C)	10-35					
Power supply (90-264VAC)	PSU-H-FDA/PSU-H-OEM					
Expected lifetime (hours)	/			10000		
Warranty	1 year					

Note: The laser head needs to be used on a heat sink with good heat dissipation.



SPECIFICATIONS

Wavelength (nm)	526.5±1		532±1		543±1		543.5±1	
Operating mode	CW							
Output power (mW)	1-200	200-400	400-1500	1500-2500	1-200		1-100	
Power stability (rms, over 4 hours)	<1%, <2%, <3%	<3%, <5%	<1%, <2%, <3%	<2%, <3%, <5%	<1%, <2%, <3%		<1%, <2%, <3%	
Spectral line width (nm)	<0.2 (<0.003 Optional)		<0.1 (<0.003 Optional)	<0.1	<0.2 (<0.003 Optional)			
Transverse mode	NearTEM ₀₀		TEM ₀₀		TEM ₀₀			
Noise of amplitude (rms, 1Hz~20MHz)	<1%		<0.5%, <1%		<1%			
M ² factor	<1.5		<1.2 (<1.1 optional)		<1.2			
Beam diameter at the aperture (1/e ² , mm)	<2.0							
Beam divergence, full angle (mrad)	<1.5							
Polarization Ratio	>100:1, (Horizontal or Vertical Optional)							
Warm-up time (minutes)	<5							
Pointing stability after warm-up (mrad)	<0.05							
Beam height from base plate (mm)	27.4							
Max. Laser Head Base plate Temp (°C)	50							
Operating Temperature (°C)	10-35							
Power supply (90-264VAC)	PSU-H-FDA/PSU-H-OEM							
Expected lifetime (hours)	10000							
Warranty	1 year							

Note: The laser head needs to be used on a heat sink with good heat dissipation.



SPECIFICATIONS

Wavelength (nm)	550±1	556±1	561±1	588±2	589±1
Operating mode	CW				
Output power (mW)	1-80	1-200	200-400	200-300	200-300
Power stability (rms, over 4 hours)	<2%,<3%,<5%	<1%,<2%,<3%	<1%,<2%,<3%	<0.5%(optional),<1%<2%, <3%	
Spectral line width (nm)	<0.2 (<0.003 Optional)				
Transverse mode	TEM ₀₀				
Noise of amplitude (rms, 1Hz~20MHz)	<1%			<0.5%,<1%	
M ² factor	<1.5	<1.2			
Beam diameter at the aperture (1/e ² , mm)	<2.0			<1.5	
Beam divergence, full angle (mrad)	<1.5				
Polarization Ratio	>100:1, (Horizontal or Vertical Optional)				
Warm-up time (minutes)	<5				
Pointing stability after warm-up (mrad)	<0.05				
Beam height from base plate (mm)	27.4				
Max. Laser Head Base plate Temp (°C)	50				
Operating Temperature (°C)	10-35				
Power supply (90-264VAC)	PSU-H-FDA/PSU-H-OEM				
Expected lifetime (hours)	10000				
Warranty	1 year				

Note: The laser head needs to be used on a heat sink with good heat dissipation.



SPECIFICATIONS

Wavelength (nm)	594±1	607±1		639±1		660±1
Operating mode	CW					
Output power (mW)	1-100	1-200	200-400	1-400	400-1000	1-200
Power stability (rms, over 4 hours)	<2%, <3%, <5%	<0.5%, <1%, <2%, <3%		<0.5%, <1%, <2%, <3%		<1%, <2%, <3%
Spectral line width (nm)	<0.2	<0.2 (<0.003 Optional)	<0.2	<0.2 (<0.003 Optional)	<0.2	<0.2 (<0.003 Optional)
Transverse mode	TEM ₀₀					
Noise of amplitude (rms, 1Hz~20MHz)	<1%			<0.5%, <1%	<1%	<0.5%, <1%
M ² factor	<1.5			<1.2 (<1.1 optional)	<1.2	
Beam diameter at the aperture (1/e ² , mm)	<1.5			<1.0		<2.0
Beam divergence, full angle (mrad)	<2.0			<1.5		<1.2
Polarization Ratio	>100:1, (Horizontal or Vertical Optional)					
Warm-up time (minutes)	<5					
Pointing stability after warm-up (mrad)	<0.05					
Beam height from base plate (mm)	27.4					
Max. Laser Head Base plate Temp (°C)	50					
Operating Temperature (°C)	10-35					
Power supply (90-264VAC)	PSU-H-FDA/PSU-H-OEM					
Expected lifetime (hours)	10000					
Warranty	1 year					

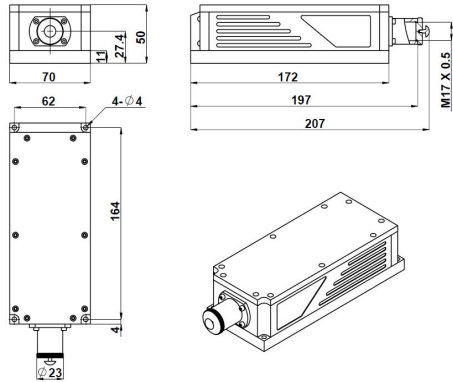


SPECIFICATIONS

Wavelength (nm)	670±0.5		671±1		698±1		721±1
Operating mode	CW						
Output power (mW)	1-200	200-300	500-600	600-1000	1-300	300-1000	1-100
Power stability (rms, over 4 hours)	<1%,<2%,<3%		<1%,<2%,<3%	<2%,<3%	<2%,<3%	<3%,<5%	<0.5%,<1%,<2%,<3%
Spectral line width (nm)	<0.2 (<0.003 Optional)	<0.2	<0.2 (<0.003 Optional)	<0.2	<0.2 (<0.003 Optional)	<0.2	<0.2 (<0.003 Optional)
Transverse mode	TEM ₀₀	Near TEM ₀₀			TEM ₀₀	Near TEM ₀₀	TEM ₀₀
Noise of amplitude (rms, 1Hz~20MHz)	<0.5%,<1%		<1%			<0.5%,<1%	
M ² factor	<1.2	<2.0	<1.2(<1.1optional)	<1.2	<1.5		<1.2
Beam diameter at the aperture (1/e ² , mm)	<2.0		~2.0		<2.0		
Beam divergence, full angle (mrad)	<1.2		<1.5			<1.2	
Polarization Ratio	>100:1, (Horizontal or Vertical Optional)						
Warm-up time (minutes)	<5						
Pointing stability after warm-up (mrad)	<0.05						
Beam height from base plate (mm)	27.4						
Max. Laser Head Base plate Temp (°C)	50						
Operating Temperature (°C)	10-35						
Power supply (90-264VAC)	PSU-H-FDA/PSU-H-OEM						
Expected lifetime (hours)	10000						
Warranty	1 year						

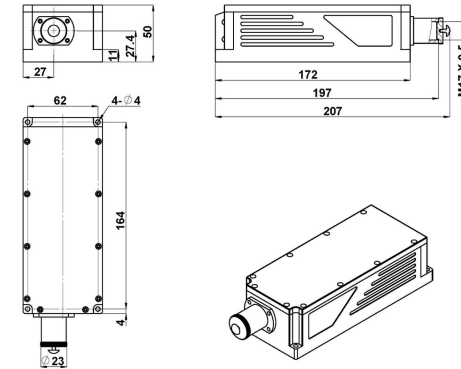
Note: The laser head needs to be used on a heat sink with good heat dissipation.

LASER HEAD



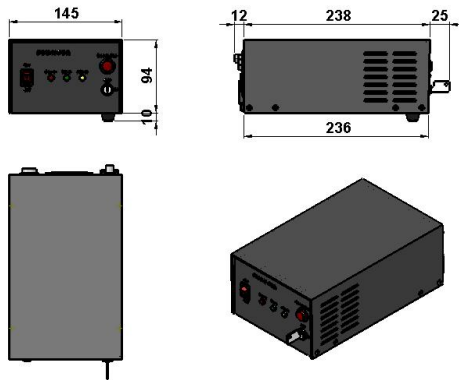
197(L)×70(W)×50(H) mm³, 1.5 kg

LASER HEAD (MLL-FN-360)



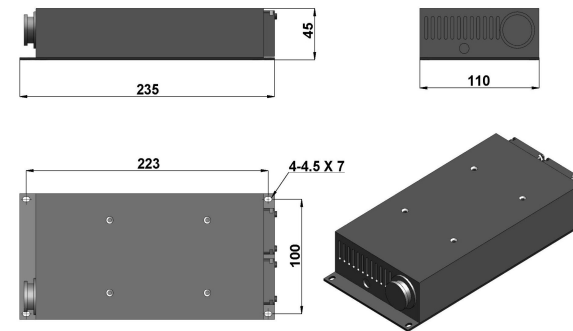
197(L)×70(W)×50(H) mm³, 1.5 kg

POWER SUPPLY (PSU-H-FDA)



275(L)×145(W)×104(H) mm³, 2.3 kg

POWER SUPPLY (PSU-H-OEM)



235(L)×110(W)×45(H) mm³, 1.1kg