

MPL-W-355/25~80μJ/400~2000mW



LD PUMPED ALL-SOLID-STATE  
UV LASER

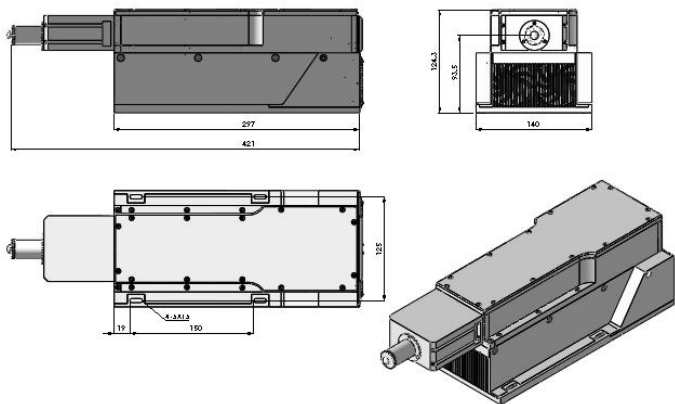
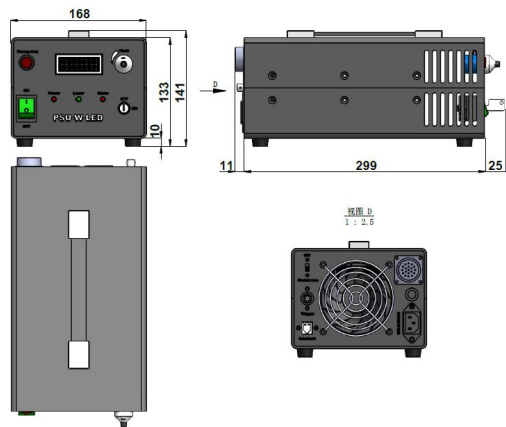
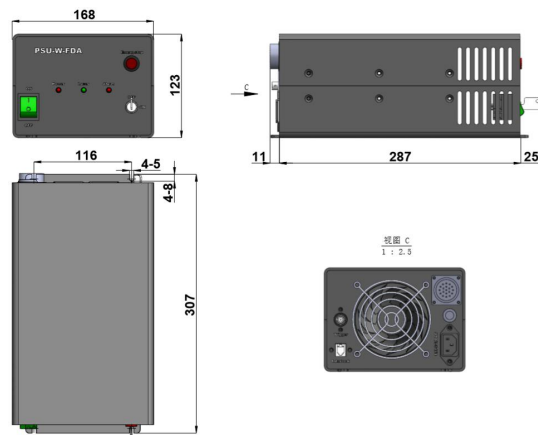
All solid state 355nm UV laser is made features of ultra compact, long lifetime, and easy operating, which is widely used in UV curing, micro-electronics, CD carving, laser medical treatment, scientific experiment, etc.



SPECIFICATIONS

Wavelength (nm)	355 ± 1	
Operating mode	Passively Q-switched	
Average power (mW)	400~2000	
Single pulse energy (μJ)	25~80	
Pulse duration (ns)	~5	
Peak power (kW)	5~16	
Rep. rate (kHz)	FIXED	Setting up one fixed rep. rate internal between 1kHz-4kHz with stable pulse energy, pulse duration and pulse period.
	EXT TRIG	1kHz-4kHz by external trigger with stable pulse energy, pulse duration and pulse period.
	QCW	QCW state with one rep. rate between 15k-25kHz.
Power stability	<3%, <5%	
Transverse mode	Near TEM <sub>00</sub>	
Beam divergence, full angle (mrad)	<2.0	
Beam diameter at the aperture (1/e <sup>2</sup> , mm)	~2.0	
Warm-up time (minutes)	<10	
Beam height from base plate (mm)	93.5	
Operating temperature (°C)	10~35	
Power supply (90-264VAC)	PSU-W-LED	PSU-W-FDA
Expected lifetime (hours)	8000	
Warranty period	1 year	
Remarks	Please Note: because of the Walk-off effect of Nonlinear crystals, the beam quality of UV laser is not so good as that of 1064/532nm laser.	



MxL-W-355	PSU-W-LED	PSU-W-FDA
 <p>421 (L) × 140 (W) × 124.3 (H) mm<sup>3</sup>, 6.0 kg</p>	 <p>335 (L) × 168 (W) × 133 (H) mm<sup>3</sup>, 4.2 kg</p>	 <p>323 (L) × 168 (W) × 123 (H) mm<sup>3</sup>, 4.1 kg</p>