

OEM-DH-450/15W-30W

SPECIFICATIONS

OEM BLUE DIODE LASER
AT 450nm

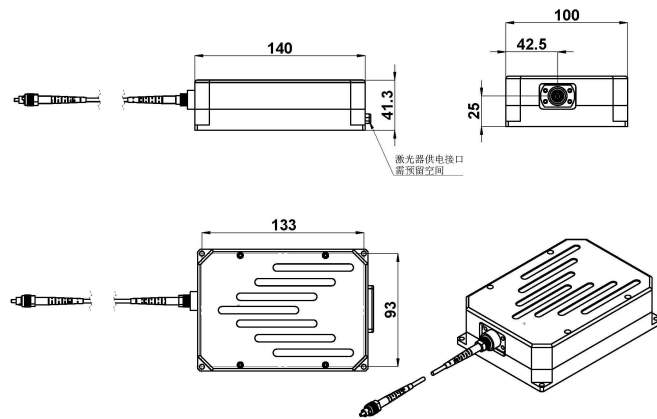
OEM diode laser 450 nm blue laser is made features of ultra compact, long lifetime, low cost and easy operating. It's easy to be installed in customer's equipment.



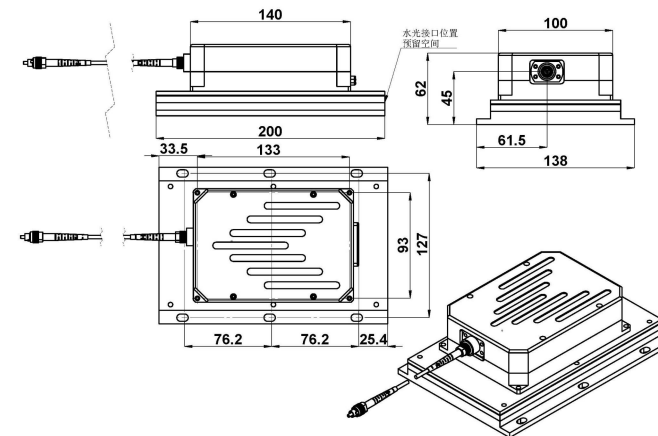
Wavelength (nm)	450±10	
Output power (W)	15,16,.....30	
Operating mode	CW	
Power stability (rms, over 4 hours) at 25℃	<1%, <3%, <5%	
Warm-up time (minutes)	<5	
Beam height from base plate (mm)	25 (OEM-DH-450)	45 (OEM-DH-450-Water)
Operating temperature (℃)	25+/-3 (OEM-DH-450)	10-35 (OEM-DH-450-Water)
Cooled method	Water Cooled for OEM-DH-450-Water	
Power supply (90-264VAC)	PSU-H-LED	
Expected lifetime (hours)	10000	
Modulation option	TTL/Analog 1Hz-5KHz, 1Hz-10KHz, 1Hz-100KHz, and TTL on/off	
Warranty	1 year	



Dimensions of Laser head

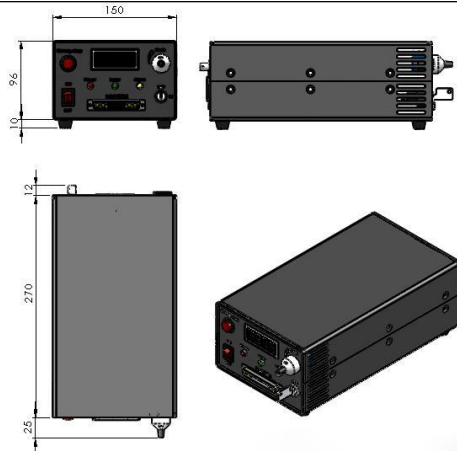


OEM-DH-450
140(L)×100(W) ×41.3(H) mm³



OEM-DH-450-Water
200(L)×138(W) ×62(H) mm³

PSU-H-LED



307 (L) × 150 (W) × 106 (H) mm³, 2.9 kg

Water Chiller (Optional)



280 (L) × 230 (W) × 380 (H) mm³, 18 kg

Kokyo

株式会社光響

Email : info@symphotony.com

Web : <https://www.symphotony.com/>