

PGL-D12-445/1~30mW

**BLUE LASER MODULE
AT 445nm**

PGL-D12-445 is made features of wide temperature operating (no TEC), high reliability, and low cost, which is widely used in orientation, alignment and measurement, etc.

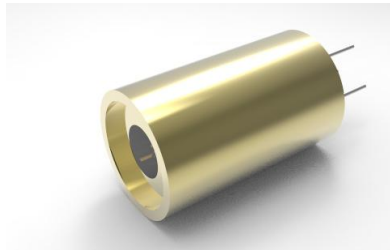
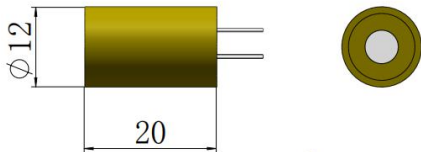



SPECIFICATIONS

Wavelength (nm)	445±10
Operating mode	CW
Output power (mW)	>1, 10, 15,... , 30
Transverse mode	Near TEM ₀₀
Beam diameter at the aperture (1/e ² , mm)	~3.5
Beam divergence, full angle (mrad)	<1.0
Operating temperature (°C)	15~30
Power supply	DC 6V PCB
Expected lifetime (hours)	10000
Warranty period	6 months

Note: The shell has non-polarity.



PGL-D12-445	Dimensions	6VPCB
 <p>Φ12×20(L) mm², 0.013 kg</p>		 <p>17(L) × 11(W) mm²</p>