



PGL-D8-808/1~50mW

INFRARED LASER MODULE AT 808nm


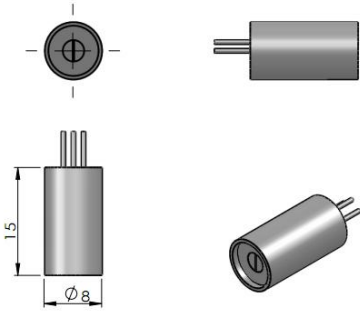
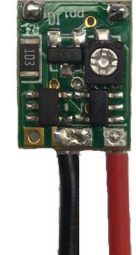
Diode infrared laser module at 808nm is made features of ultra compact, long lifetime, low cost and easy operating, which is used in measurement, communication, spectrum analysis, etc.



SPECIFICATIONS

Wavelength (nm)	808±5
Operating mode	CW
Output power (mW)	>1,5, 10 , ... , 50
Transverse mode	Multimode
Beam diameter at the aperture (1/e ² , mm)	~3.5
Beam divergence, full angle (mrad)	<6.0
Operating temperature (°C)	15~30
Power supply	DC 3V PCB
Expected lifetime (hours)	10000
Warranty	6 months
Note: The shell is positive electrodes.	



PGL-D8-808	Dimensions	3VPCB
 Φ8×15(L) mm ² , 1.5g		 13(L) ×10(W) mm ²