



MSL-U-xxx-SU series



SINGLE LONGITUDINAL MODE LASER

All solid state single longitudinal mode laser is made features of ultra compact, long lifetime, low cost and easy operating, which is used in DNA sequencing, flow cytometry, cell sorting, optical instrument, spectrum analysis, interference, measurement, holography, physics experiment, etc.



SPECIFICATIONS

Wavelength (nm)	914±1	946±1	1030±1	1047±1	1053±1	1064±1
Operating mode	CW					
Output power (mW)	1-100	1-100	1-20	1-300	300-800	700-1000
Power stability (rms, over 4 hours)	<3%, <2%, <1%	<3%, <2%, <1%	<3%, <2%, <1%	<3%, <2%, <1%	<3%, <2%	<3%, <2%
Transverse mode	TEM ₀₀					
Longitudinal mode	Single					
Spectral line width (nm)	<0.00001					<1MHz
Noise of amplitude (rms, 1Hz~20MHz)	<1%, <0.5%	<2%	<1%, <0.5%			
M ² factor	<1.2					
Beam diameter at the aperture (1/e ² , mm)	<1.0					
Beam divergence (mrad)	<1.5					
Polarization Ratio	>100:1, Horizontal (Vertical Optional)					
Warm-up time (minutes)	<5					
Pointing stability after warm-up (mrad)	<0.05					
Frequency shift over 8 hours (MHz) (Optional)	<±200					
Frequency shift with Temp (MHz/°C) (Optional)	<200					
Coherent length (m)	>50					
Beam height from base plate (mm)	27.4					
Laser head consumption(W)	15 (typical) , <25 (40°C)					
Max. Laser Head Base plate Temp (°C)	50					
Operating Temperature (°C)	10-35					
Power supply (90-264VAC)	PSU-H-FDA					
Expected lifetime (hours)	10000					
Warranty	1 year					

Note: The laser head needs to be used on a heat sink with good heat dissipation.



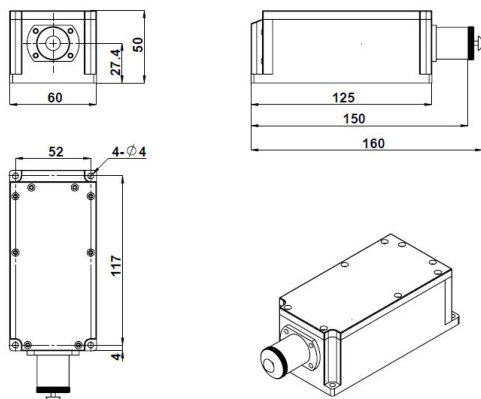
SPECIFICATIONS

Wavelength (nm)	1112±1	1122±1	1313±1		1319±2	1342±1	Other wavelengths can be customized, please consult.
Operating mode	CW						
Output power (mW)	1-20	1-80	1-200	200-500	1-50	1-500	/
Power stability (rms, over 4 hours)	<3%, <2%, <1%	<3%, <2%, <1%	<3%, <2%, <1%	<3%, <2%	<3%, <2%, <1%	<3%, <2%, <1%	/
Transverse mode	TEM ₀₀						
Longitudinal mode	Single						
Spectral line width (nm)	<0.00001						
Noise of amplitude (rms, 1Hz~20MHz)	<1%			<1%, <0.5%			
M ² factor	<1.2						
Beam diameter at the aperture (1/e ² , mm)	<1.0						
Beam divergence (mrad)	<1.5						
Polarization Ratio	/			>100:1, Horizontal (Vertical Optional)			
Warm-up time (minutes)	<5						
Pointing stability after warm-up (mrad)	<0.05						
Frequency shift over 8 hours (MHz) (Optional)	<±200						
Frequency shift with Temp (MHz/°C) (Optional)	<200						
Coherent length (m)	>50						
Beam height from base plate (mm)	27.4						
Laser head consumption(W)	15 (typical), <25 (40°C)						
Max. Laser Head Base plate Temp (°C)	50						
Operating Temperature (°C)	10-35						
Power supply (90-264VAC)	PSU-H-FDA						
Expected lifetime (hours)	10000						
Warranty	1 year						

Note: The laser head needs to be used on a heat sink with good heat dissipation.

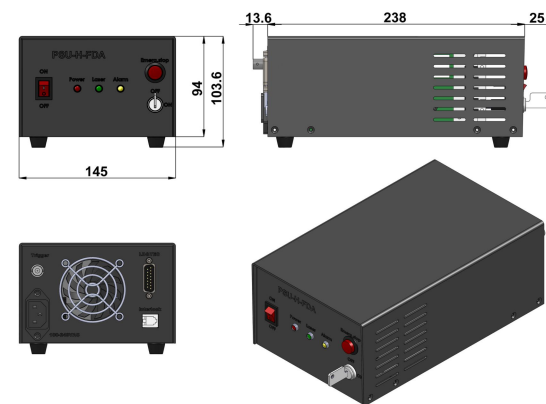


LASER HEAD



160(L)×60(W)×50(H) mm³, 0.9kg

POWER SUPPLY



276.6(L)×145(W)×103.6(H) mm³, 2.3 kg