

Laser Power Meter



PD1000-200T-TP100

Features:

Wavelength range: 200 -1100nm

Power range: 1nW-1000mW

Active area diameter: 10*10 mm

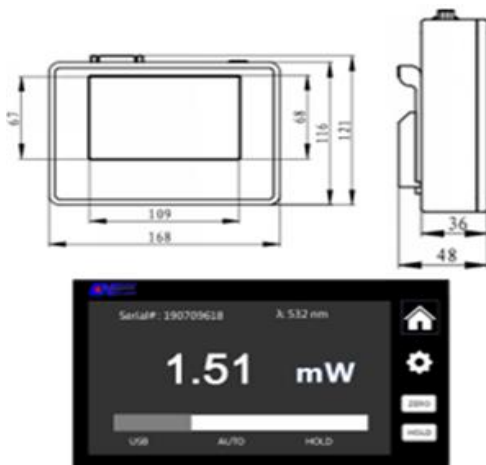
Ultra-thin design: Probe thickness 10mm

SPECIFICATIONS

Power Meter	TP100
Photodiode Power Sensor	PD1000-200T
Power Range	1 nW - 1000 mW
Max. Measurable Power(With attenuator)	1000 mW
Max. Measurable Power (Without attenuator)	10 mW
Min. Measurable Power	1 nW
Active Area Diameter	10*10mm
Detector Material	Si
Wavelength Range	200-1100nm
Max. Power Density(With attenuator) ^{a*}	20 W/cm ²
Max. Power Density (Without attenuator) ^{a*}	1 W/cm ²
Measurement Uncertainty	± 2%
Resolution	1nW
Sensitivity	1nW
Accuracy	< ± 2%
Power Supply	18650 (2 batteries)
Computer Interface	USB 1.1 and USB 2.0
Instrument Power	100-240 VAC, 50/60 Hz, DC 12V-3.34A
Temperature (Operating)	5°C - 45°C (41°F - 113°F)
Temperature (Storage)	-20°C - 70°C (-4°F - 158°F)
Warranty Period	1 year

^{a*}: Before testing, please pay attention to the spot size and calculate the maximum average power density. These two parameters must be within the range of the above table. If the probe is damaged due to parameters beyond the range of above table, it is not covered by the warranty.

Power Meter TP100



Photodiode Power Sensor PD1000-200T

